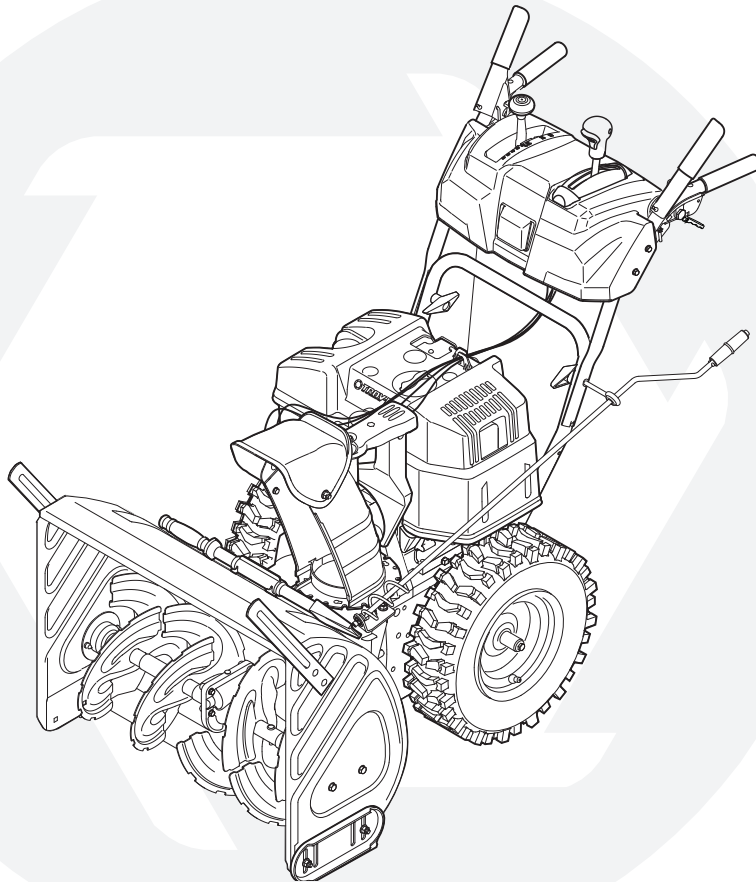


OPERATOR'S MANUAL



Two-Stage Snow Thrower

**IMPORTANT:
READ SAFETY RULES AND
INSTRUCTIONS CAREFULLY
BEFORE OPERATION**


This Operator's Manual is an important part of your new snow thrower. It will help you assemble, prepare and maintain the unit for best performance. Please read and understand what it says.

Table of Contents

Safety Labels	3	Maintaining Your Snow Thrower	16
Safe Operation Practices	4	Off-Season Storage	19
Setting Up Your Snow Thrower	6	Trouble Shooting	20
Operating Your Snow Thrower	10	Warranty	21
Making Adjustments	14	Illustrated Parts Lists	22

Finding and Recording Model Number

BEFORE YOU START ASSEMBLING YOUR NEW EQUIPMENT, please locate the model plate on the equipment and copy the model number and the serial number to the sample model plate provided to the right. You can locate the model plate by standing at the operating position and looking down at the frame.

Model Number Numéro de modèle	Serial Number Numéro de série
XXX-XXXXXX	XXXXXXXXXXXX
 TROY-BILT® TROYBILT - CANADA KITCHENER, ON N2G 4J1	

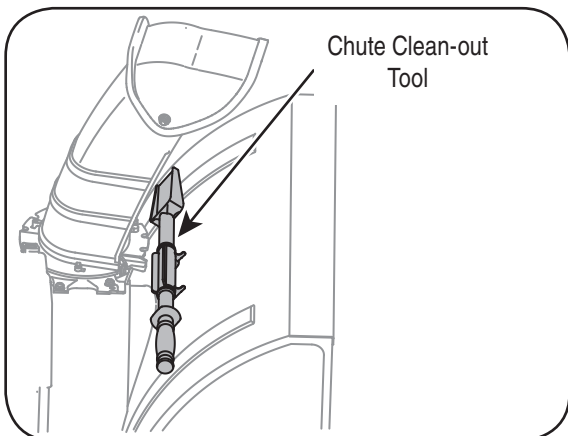
Customer Support

Please do **NOT** return the unit to the retailer from which it was purchased, without first contacting Customer Support.

If you have difficulty assembling this product or have any questions regarding the controls, operation or maintenance of this unit, you can seek help from the experts. Choose from the options below:

1. Visit www.troybilt.ca for many useful suggestions.
2. Call an authorized dealer **or** Customer Support Representative at **1-800-668-1238**.
3. The engine manufacturer is responsible for all engine-related issues in terms of performance, power-rating, specifications, warranty, and service. Depending on the engine manufacturer, more information is included in this publication or packed separately with this product.

Please have your unit's model number and serial number ready when you call. See previous section to locate this information. You will be asked to enter the serial number in order to process your call.



A **chute clean-out tool** is fastened to the top of the auger housing with a mounting clip. The tool is designed to clear a chute assembly of ice and snow.

This item is fastened with a cable tie at the factory. Cut the cable tie before operating the snow thrower.



WARNING: Never use your hands to clear a clogged chute assembly. Shut off engine and remain behind handles until all moving parts have stopped before using the clean-out tool to clear the chute assembly.

1

Safety Labels



WARNING

This symbol points out important safety instructions which, if not followed, could endanger the personal safety and/or property of yourself and others. Read and follow all instructions in this manual before attempting to operate this machine. Failure to comply with these instructions may result in personal injury. When you see this symbol, **HEED ITS WARNING!**

Your Responsibility
Restrict the use of this power machine to persons who read, understand and follow the warnings and instructions in this manual and on the machine.

2

Safe Operation Practices



WARNING

This symbol points out important safety instructions which, if not followed, could endanger the personal safety and/or property of yourself and others. Read and follow all instructions in this manual before attempting to operate this machine. Failure to comply with these instructions may result in personal injury. When you see this symbol, HEED

ITS WARNING!

Your Responsibility

Restrict the use of this power machine to persons who read, understand and follow the warnings and instructions in this manual and on the machine.



WARNING: Engine Exhaust, some of its constituents, and certain vehicle components contain or emit chemicals known to State of California to cause cancer and birth defects or other reproductive harm.

DANGER: This machine was built to be operated according to the safe operation practices in this manual. As with any type of power equipment, carelessness or error on the part of the operator can result in serious injury. This machine is capable of amputating hands and feet and throwing objects. Failure to observe the following safety instructions could result in serious injury or death.

Training

1. Read, understand, and follow all instructions on the machine and in the manual(s) before attempting to assemble and operate. Keep this manual in a safe place for future and regular reference and for ordering replacement parts.
2. Be familiar with all controls and their proper operation. Know how to stop the machine and disengage them quickly.
3. Never allow children under 14 years old to operate this machine. Children 14 years old and over should read and understand the instructions and safe operation practices in this manual and on the machine and be trained and supervised by an adult.
4. Never allow adults to operate this machine without proper instruction.
5. Thrown objects can cause serious personal injury. Plan your snow-throwing pattern to avoid discharge of material toward roads, bystanders and the like.
6. Keep bystanders, helpers, pets and children at least 75 feet from the machine while it is in operation. Stop machine if anyone enters the area.
7. Exercise caution to avoid slipping or falling, especially when operating in reverse.

Preparation

1. Thoroughly inspect the area where the equipment is to be used. Remove all doormats, newspapers, sleds, boards, wires and other foreign objects, which could be tripped over or thrown by the auger/impeller.
2. Always wear safety glasses or eye shields during operation and while performing an adjustment or repair to protect your eyes. Thrown objects which ricochet can cause serious injury to the eyes.
3. Do not operate without wearing adequate winter outer garments. Do not wear jewelry, long scarves or other loose clothing, which could become entangled in moving parts. Wear footwear which will improve footing on slippery surfaces.
4. Use a grounded three-wire extension cord and receptacle for all units with electric start engines.
5. Adjust collector housing height to clear gravel or crushed rock surfaces.
6. Disengage all control levers before starting the engine.
7. Never attempt to make any adjustments while engine is running, except where specifically recommended in the operator's manual.
8. Let engine and machine adjust to outdoor temperature before starting to clear snow.

Safe Handling of Gasoline

To avoid personal injury or property damage use extreme care in handling gasoline. Gasoline is extremely flammable and the vapors are explosive. Serious personal injury can occur when gasoline is spilled on yourself or your clothes, which can ignite. Wash your skin and change clothes immediately.

- a. Use only an approved gasoline container.
- b. Extinguish all cigarettes, cigars, pipes and other sources of ignition.
- c. Never fuel machine indoors.
- d. Never remove gas cap or add fuel while the engine is hot or running.
- e. Allow engine to cool at least two minutes before refueling.
- f. Never over fill fuel tank. Fill tank to no more than ½ inch below bottom of filler neck to provide space for fuel expansion.
- g. Replace gasoline cap and tighten securely.
- h. If gasoline is spilled, wipe it off the engine and equipment. Move machine to another area. Wait 5 minutes before starting the engine.
- i. Never store the machine or fuel container inside where there is an open flame, spark or pilot light (e.g. furnace, water heater, space heater, clothes dryer etc.).
- j. Allow machine to cool at least 5 minutes before storing.

Operation

1. Do not put hands or feet near rotating parts, in the auger/impeller housing or chute assembly. Contact with the rotating parts can amputate hands and feet.
2. The auger/impeller control lever is a safety device. Never bypass its operation. Doing so makes the machine unsafe and may cause personal injury.
3. The control levers must operate easily in both directions and automatically return to the disengaged position when released.
4. Never operate with a missing or damaged chute assembly. Keep all safety devices in place and working.
5. Never run an engine indoors or in a poorly ventilated area. Engine exhaust contains carbon monoxide, an odorless and deadly gas.
6. Do not operate machine while under the influence of alcohol or drugs.
7. Muffler and engine become hot and can cause a burn. Do not touch.
8. Exercise extreme caution when operating on or crossing gravel surfaces. Stay alert for hidden hazards or traffic.
9. Exercise caution when changing direction and while operating on slopes.
10. Plan your snow-throwing pattern to avoid discharge towards windows, walls, cars etc. Thus, avoiding possible property damage or personal injury caused by a ricochet.
11. Never direct discharge at children, bystanders and pets or allow anyone in front of the machine.
12. Do not overload machine capacity by attempting to clear snow at too fast of a rate.
13. Never operate this machine without good visibility or light. Always be sure of your footing and keep a firm hold on the handles. Walk, never run.
14. Disengage power to the auger/impeller when transporting or not in use.
15. Never operate machine at high transport speeds on slippery surfaces. Look down and behind and use care when backing up.
16. If the machine should start to vibrate abnormally, stop the engine, disconnect the spark plug wire and ground it against the engine. Inspect thoroughly for damage. Repair any damage before starting and operating.
17. Disengage all control levers and stop engine before you leave the operating position (behind the handles). Wait until the auger/impeller comes to a complete stop before unclogging the chute assembly, making any adjustments, or inspections.
18. Never put your hand in the discharge or collector openings. Always use the clean-out tool provided to unclog the discharge opening. Do not unclog chute assembly while engine is running. Shut off engine and remain behind handles until all moving parts have stopped before unclogging.
19. Use only attachments and accessories approved by the manufacturer (e.g. wheel weights, tire chains, cabs etc.).
20. If situations occur which are not covered in this manual, use care and good judgment. Call customer assistance for the name of your nearest servicing dealer.

Maintenance & Storage

1. Never tamper with safety devices. Check their proper operation regularly. Refer to the maintenance and adjustment sections of this manual.
2. Before cleaning, repairing, or inspecting machine disengage all control levers and stop the engine. Wait until the auger/impeller come to a complete stop. Disconnect the spark plug wire and ground against the engine to prevent unintended starting.
3. Check bolts and screws for proper tightness at frequent intervals to keep the machine in safe working condition. Also, visually inspect machine for any damage.
4. Do not change the engine governor setting or over-speed the engine. The governor controls the maximum safe operating speed of the engine.
5. Snow thrower shave plates and skid shoes are subject to wear and damage. For your safety protection, frequently check all components and replace with original equipment manufacturer's (OEM) parts only. "Use of parts which do not meet the original equipment specifications may lead to improper performance and compromise safety!"
6. Check controls periodically to verify they engage and disengage properly and adjust, if necessary. Refer to the adjustment section in this operator's manual for instructions.
7. Maintain or replace safety and instruction labels, as necessary.
8. Observe proper disposal laws and regulations for gas, oil, etc. to protect the environment.
9. Prior to storing, run machine a few minutes to clear snow from machine and prevent freeze up of auger/impeller.
10. Never store the machine or fuel container inside where there is an open flame, spark or pilot light such as a water heater, furnace, clothes dryer etc.
11. Always refer to the operator's manual for proper instructions on off-season storage.

Do not modify engine

To avoid serious injury or death, do not modify engine in any way. Tampering with the governor setting can lead to a runaway engine and cause it to operate at unsafe speeds. Never tamper with factory setting of engine governor.

Notice regarding Emissions

Engines which are certified to comply with California and federal EPA emission regulations for SORE (Small Off Road Equipment) are certified to operate on regular unleaded gasoline, and may include the following emission control systems: Engine Modification (EM) and Three Way Catalyst (TWC) if so equipped.

Average Useful Life

According to the Consumer Products Safety Commission (CPSC) and the U.S. Environmental Protection Agency (EPA), this product has an *Average Useful Life* of seven (7) years, or 60 hours of operation. At the end of the *Average Useful Life*, buy a new machine or have the machine inspected annually by an authorized service dealer to ensure that all mechanical and safety systems are working properly and not worn excessively. Failure to do so can result in accidents, injuries or death.

2

Safe Operation Practices



WARNING

This symbol points out important safety instructions, which if not followed, could endanger the personal safety and/or property of yourself and others. Read and follow all instructions in this manual before attempting to operate this machine. Failure to comply with these instructions may result in personal injury. When you see this symbol, HEED IT'S WARNING!

Your Responsibility
Restrict the use of this power machine to persons who read, understand and follow the warnings and instructions in this manual and on the machine.

3

Setting Up Your Snow Thrower



NOTE: References to right or left side of the snow thrower are determined from behind the unit in the operating position.

NOTE: This Operator's Manual covers several models, handle panels, lights and chute cranks are some features that may vary by model. Not all features referenced in this manual are applicable to all snow thrower models.

NOTE: Two replacement auger shear pins are included with this manual (or stowed in the plastic handle panel). Refer to Augers in the Maintenance Section for more information regarding shear pin replacement.

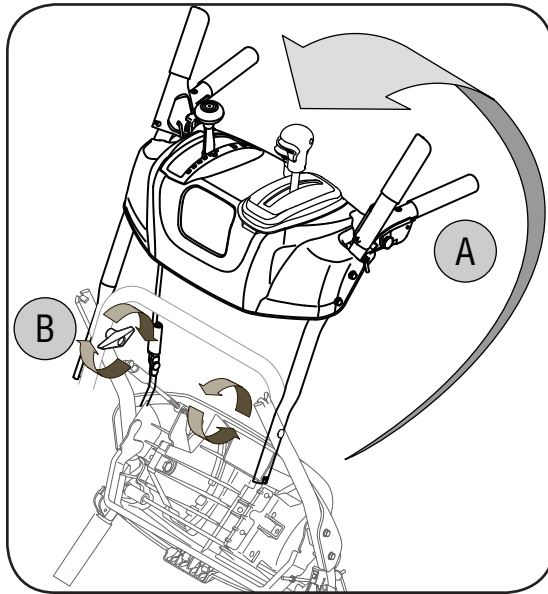


Figure 3-1

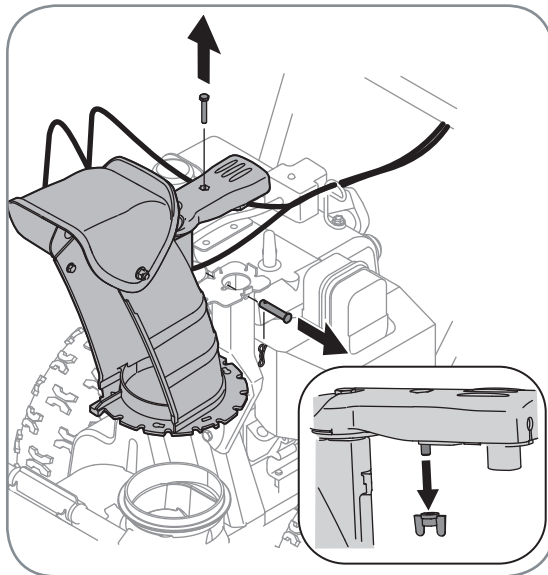


Figure 3-2

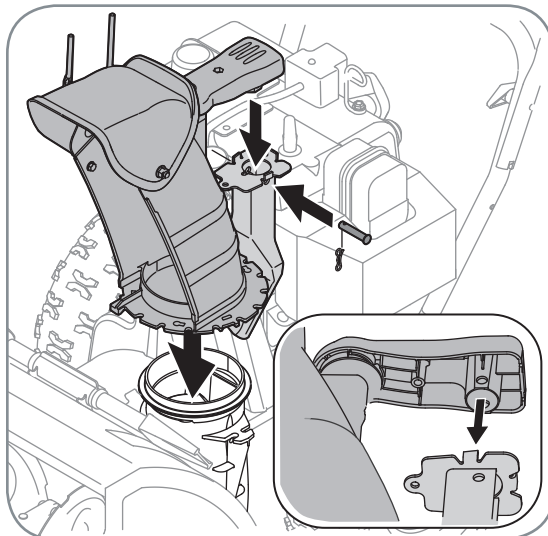


Figure 3-3

IMPORTANT: The snow thrower is shipped with oil and WITHOUT GASOLINE. After assembly, refer to separate engine manual for proper fuel and engine oil recommendations.

1. Observe the lower area of the snow thrower to be sure both cables are aligned with roller guides.
 - a. Pull up and back on upper handle as shown in Figure 3-1. Align upper handle with the lower handle.
 - b. Tighten hand knobs securing upper handle to lower handle.
2. Remove wing nut and hex screw from chute control assembly and clevis pin and cotter pin from chute support bracket. See Figure 3-2. Position the chute assembly (forward-facing) over the chute base.
3. Place chute assembly onto chute base and secure chute control assembly to chute support bracket with clevis pin and cotter pin removed earlier. See Figure 3-3.

4. Finish securing chute control assembly to chute support bracket with wing nut and hex screw removed earlier. See Figure 3-4.

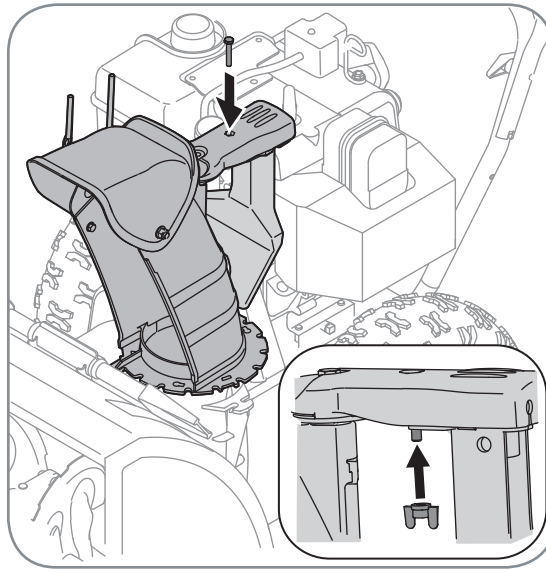


Figure 3-4

5. Check that all cables are properly routed through the cable guide on top of the engine. See Figure 3-5.

The extension cord is fastened with a cable tie to the rear of the auger housing for shipping purposes. Cut the cable tie and remove it before operating the snow thrower.

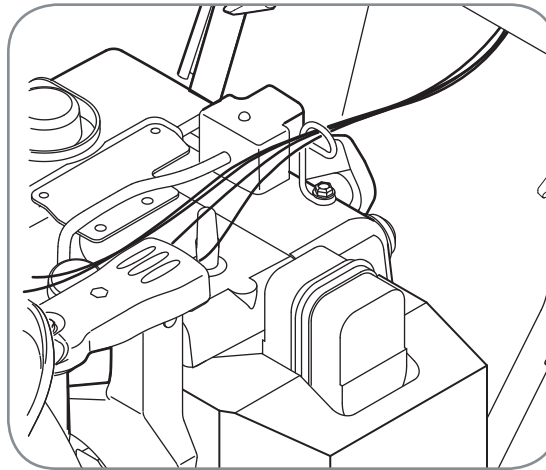


Figure 3-5



CAUTION: Prior to operating your snow thrower, refer to Auger Control Test on page 13. Read and follow all instructions carefully, and perform all adjustments to verify your snow thrower is operating safely and properly.

Shear Pin Storage (optional)

An area for convenient shear pin storage is located under the plastic dash panel. See Figure 3-6.

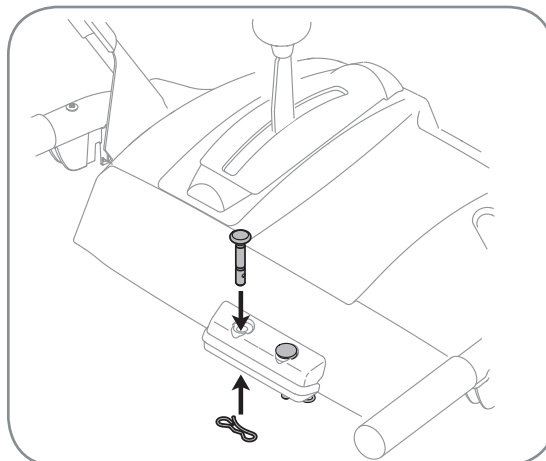


Figure 3-6

3

Setting Up Your Snow Thrower



CAUTION

Prior to operating your snow thrower, refer to Auger Control Test on page 13. Read and follow all instructions carefully and perform all adjustments to verify your unit is operating safely and properly.

3

Setting Up Your Snow Thrower



WARNING

Never use your hands to clean snow and ice from the chute assembly or auger housing.



IMPORTANT

Under any circumstance do not exceed manufacturer's recommended psi. Equal tire pressure should be maintained at all times. Excessive pressure when seating beads may cause tire/rim assembly to burst with force sufficient to cause serious injury. Refer to sidewall of tire for recommended pressure.

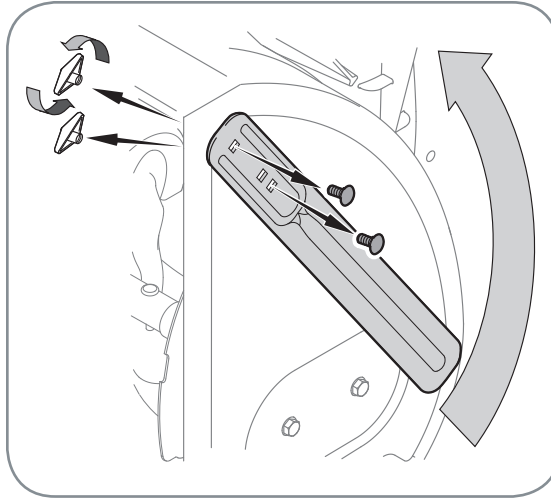


Figure 3-7

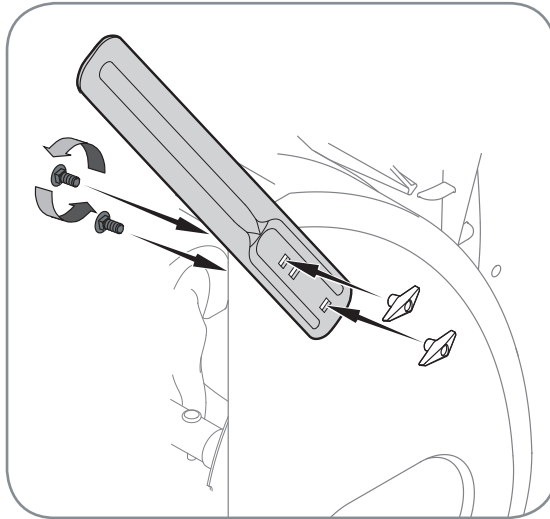


Figure 3-8

Drift Cutters (If Equipped)

Drift cutters should be used when operating the snow thrower in heavy drift conditions.

- On models so equipped, drift cutters and hardware are assembled to the auger housing inverted. See Figure 3-7.
- Remove the carriage bolts and wingnuts securing the drift cutters to the housing.
- Reposition drift cutters so they face forward as shown in Figure 3-8. Secure with hardware previously removed, wingnuts should be fastened on the **outside** of the housing as shown.

If your unit is **not** equipped with drift cutters, you may contact Customer Support as instructed on page 2 for information regarding price and availability.

Snowthrower Model	Drift Cutter Kit:
All models	OEM-390-679

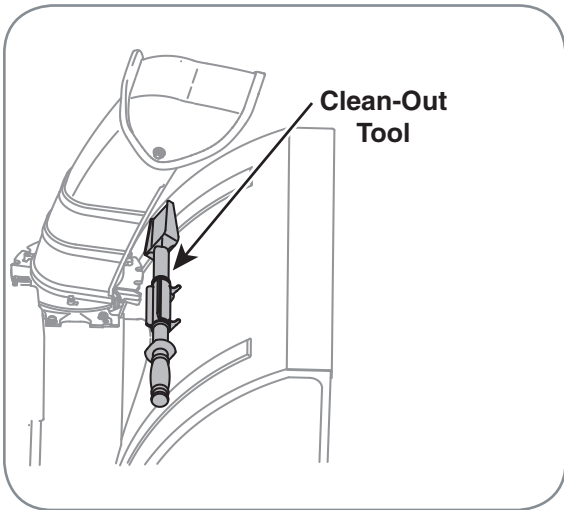


Figure 3-9

Clean-Out Tool

The clean-out tool is mounted to the rear of the auger housing and is designed to clear a clogged chute. Refer to page 11 for instructions on how to properly use it.

NOTE: This item is fastened with a cable tie to the rear of the auger housing at the factory. Cut the cable tie before operating the snow thrower.



WARNING: Never use your hands to clean snow and ice from the chute assembly or auger housing.

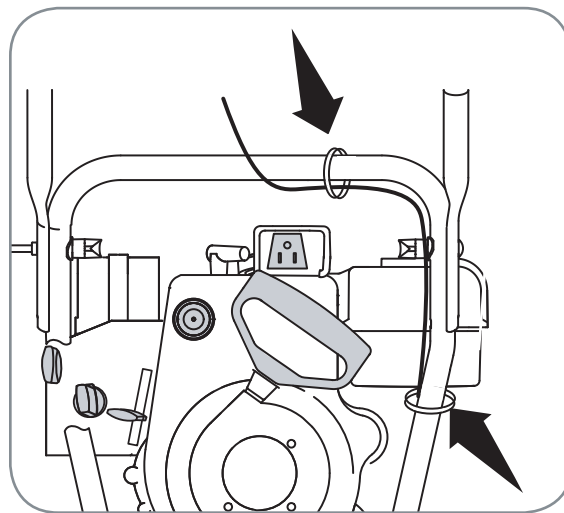


Figure 3-10

Lamp Wiring Harness (If equipped)

The post on the cable tie attaching the lamp wiring harness to the lower handle should be plugged into the hole in the lower handle. Pull the slack portion of the wiring harness through the cable tie to prevent interference with the recoil starter handle.

Skid Shoes

Position the skid shoes based on surface conditions. Adjust upward for hard-packed snow. Adjust downward when operating on gravel or crushed rock surfaces. See "Making Adjustment" Section.

Tire Pressure (Pneumatic Tires)

The tires are over-inflated for shipping purposes. Check the tire pressure before operating the snow thrower. Refer to the tire side wall for tire manufacturer's recommended psi and deflate (or inflate) the tires as necessary.

NOTE: If the tire pressure is not equal in both tires, the unit may not travel in a straight path and the shave plate may wear unevenly.

General Recommendations

1. Always observe safety rules when performing any maintenance.
2. The warranty on this snow thrower does not cover items that have been subjected to operator abuse or negligence. To receive full value from warranty, operator must maintain the snow thrower as instructed here.
3. Some adjustments will have to be made periodically to maintain your unit properly.
4. Periodically check all fasteners and make sure these are tight.

3

Setting Up Your Snow Thrower



WARNING

Never use your hands to clean snow and ice from the chute assembly or auger housing.



IMPORTANT

Under any circumstance do not exceed manufacturer's recommended psi. Equal tire pressure should be maintained at all times. Excessive pressure when seating beads may cause tire/rim assembly to burst with force sufficient to cause serious injury. Refer to sidewall of tire for recommended pressure.

4

Operating Your Snow Thrower



WARNING

Read, understand, and follow all instructions and warnings on the machine and in this manual before operating.

Use extreme care when handling gasoline. Gasoline is extremely flammable and the vapors are explosive. *Never fuel the machine indoors or while the engine is hot or running.* Extinguish cigarettes, cigars, pipes and other sources of ignition.

Know Your Snow Thrower

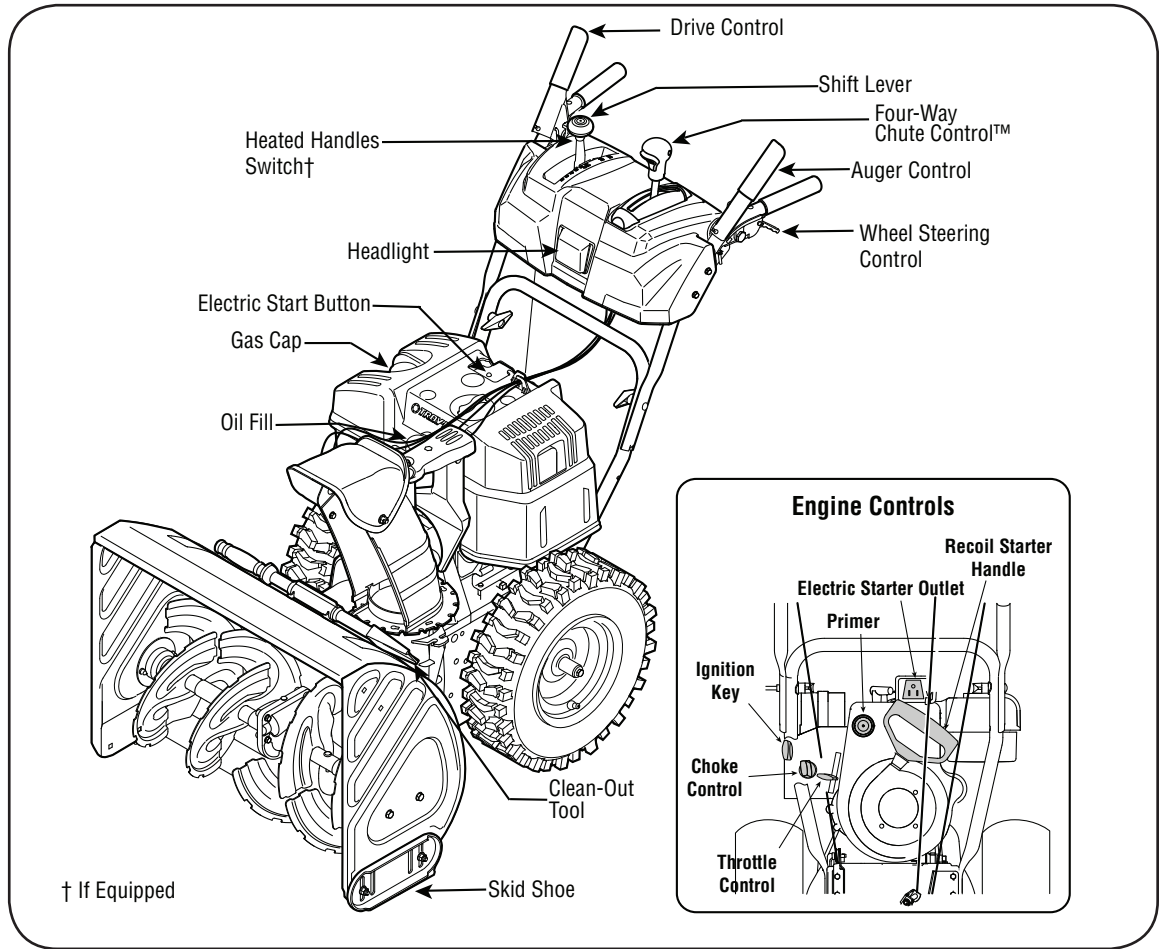


Figure 4-1

Now that you have set up your snow thrower for operation, get acquainted with its controls and features. These are described below and illustrated in Figure 4-1. This knowledge will allow you to use your new equipment to its fullest potential.

NOTE: For detailed starting instructions and more information on all engine controls, refer to the separate engine manual packed with your unit.

Shift Lever

The shift lever is located on the right side of the handle panel. Place the shift lever into any of eight positions to control the direction of travel and ground speed.

Forward

Your snow thrower has six forward (F) speeds, with position number one (1) being the slowest speed.

Reverse

Your snow thrower has two reverse (R) speeds, with position number one (1) being the slower speed.

- 6
- 5
- 4
- 3
- 2
- ↑ 1
- F 1
- R 1
- R 2

Choke Control



The choke control is found on the rear of the engine and is activated by rotating the knob clockwise. Activating the choke control closes the choke plate on the carburetor and aids in starting the engine.

Throttle Control

The throttle control is located on the engine. It regulates the speed of the engine and will shut off the engine when pushed down completely.

Primer

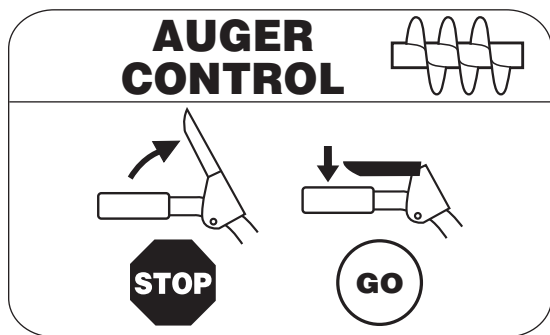
Depressing the primer forces fuel directly into the engine's carburetor to aid in cold-weather starting.

Oil Fill

Engine oil level can be checked and oil added through the oil fill.

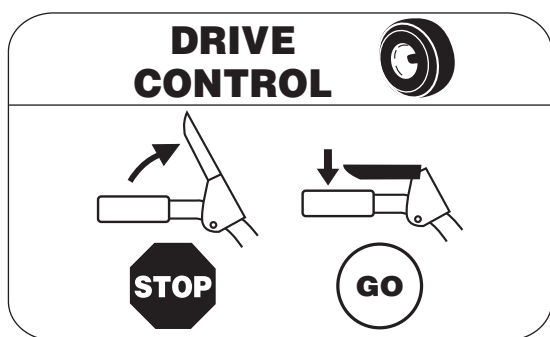


Auger Control



The auger control is located on the left handle. Squeeze the control grip against the handle to engage the augers and start snow throwing action. Release to stop.

Drive Control/ Auger Control Lock

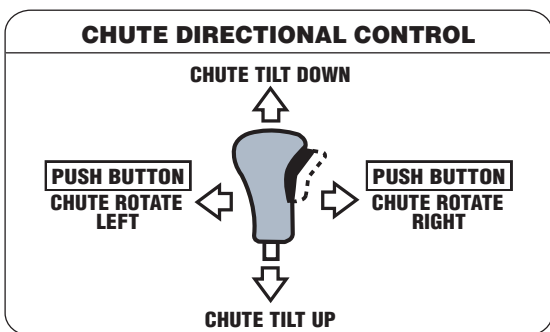


The drive control is located on the right handle. Squeeze the control grip against the handle to engage the wheel drive. Release to stop.

The drive control also locks the auger control so you can operate the chute directional control without interrupting the snow throwing process. If the auger control is engaged simultaneously with the drive control, the operator can release the auger control (on the left handle) and the augers will remain engaged. Release both controls to stop the augers and wheel drive.

IMPORTANT: Always release the drive control before changing speeds.

Four-Way Chute Control™



The chute directional control is located on the left side of the dash panel.

- To change the direction in which snow is thrown, squeeze the button on the joy-stick and pivot the joy-stick to the right or to the left.
- To change the angle/distance which snow is thrown, pivot the joy-stick forward or backward.

Wheel Steering Controls

The left and right wheel steering controls are located on the underside of the handles. Squeeze the right control to turn right; squeeze the left control to turn left.

NOTE: Operate the snow thrower in open areas until you are familiar with these controls.

Ignition Key

The ignition key must be inserted and snapped in place in order for the engine to start. Remove the ignition key to prevent unauthorized use of equipment. Do NOT attempt to turn the key.

Clean-Out Tool



WARNING: Never use your hands to clear a clogged chute assembly. Shut off engine and remain behind handles until all moving parts have stopped before unlogging.

1. Release both the auger control and the drive/auger control lock.
2. Stop the engine by moving the throttle to the stop position.
3. Remove the clean-out tool from the mounting clip.
4. Use the shovel-shaped end of the clean-out tool to remove any snow and ice in the chute assembly.
5. Re-fasten the clean-out tool to the mounting clip on the rear of the auger housing and restart engine.
6. While standing in the operator's position (behind the snow thrower), engage the auger control for a few seconds to clear any remaining snow or ice from the chute assembly before continuing to clear snow.

Heated Handles Switch (If Equipped)

This switch is located on the right side of the snow thrower dash panel. To activate the heated handles, toggle the switch to the right to generate heat within the handle grips. Toggle the switch to the left to the OFF position after using the snow thrower.

NOTE: The heated handles grips are a compliment to, not a substitute for, proper cold weather outerwear for the operator's hands. It is recommended that the snow thrower operator wear gloves/mittens to avoid extremities of winter while operating this equipment.

4

Operating Your Snow Thrower



WARNING

The operation of any snow thrower can result in foreign objects being thrown into the eyes, which can damage your eyes severely. Always wear safety glasses while operating the snow thrower, or while performing any adjustments or repairs on it.

Be sure no one other than the operator is standing near the snow thrower while starting engine or operating snow thrower. Never run engine indoors or in enclosed, poorly ventilated areas. Engine exhaust contains carbon monoxide, an odorless and deadly gas. Keep hands, feet, hair and loose clothing away from any moving parts on engine and snow thrower.

4



WARNING

Read, understand, and follow all instructions and warnings on the machine and in this manual before operating.

Use extreme care when handling gasoline. Gasoline is extremely flammable and the vapors are explosive. *Never* fuel the machine indoors or while the engine is hot or running. Extinguish cigarettes, cigars, pipes and other sources of ignition.

If your home's wiring system is not a three-wire grounded system, do not use this electric starter under any conditions.

If your home electrical system is grounded, but a three-hole receptacle is not available, do not use your snow thrower's electric starter.

Gas & Oil Fill-Up

Service the engine with gasoline and oil as instructed in the separate engine manual packed with your unit. Read instructions carefully.

Starting The Engine

1. Attach spark plug wire to spark plug. Make certain the metal loop on the end of the spark plug wire (inside the rubber boot) is fastened securely over the metal tip on the spark plug.
2. Make certain both the auger control and drive control are in the disengaged (released) position.
3. Move throttle control up to FAST position. Insert ignition key into slot. Make sure it snaps into place. Do not attempt to turn the key.

NOTE: The engine cannot start unless the key is inserted into ignition switch.

Electric Starter

1. Determine that your home's wiring is a three-wire grounded system. Ask a licensed electrician if you are not certain.



WARNING: The optional electric starter is equipped with a grounded three-wire power cord and plug, and is designed to operate on 120 volt AC household current. It must be used with a properly grounded three-prong receptacle at all times to avoid the possibility of electric shock. Follow all instructions carefully prior to operating the electric starter.

If you have a grounded three-prong receptacle, proceed as follows:

1. Plug the extension cord into the outlet located on the engine's surface. Plug the other end of extension cord into a three-prong 120-volt, grounded, AC outlet in a well-ventilated area.
2. Rotate choke control to FULL choke position (for a cold engine start).

NOTE: If the engine is already warm, place choke control in the OFF position instead of FULL.

3. Push the primer two or three times for cold engine start, making sure to cover vent hole in the center of the primer when pushing.

NOTE: DO NOT use primer to restart a warm engine after a short shutdown.

4. Push starter button to start engine.
5. Once the engine starts, immediately release starter button.
6. As the engine warms, slowly rotate the choke control to the OFF position. If the engine falters, quickly rotate the choke control back to FULL and then slowly into the OFF position again.

7. When disconnecting the extension cord, always unplug the end at the three-prong wall outlet before unplugging the opposite end from the snow thrower.

Recoil Starter

1. Rotate choke control to FULL choke position (cold engine start).

NOTE: If the engine is already warm, place choke control in the OFF position instead of FULL.

2. Push the primer two or three times for cold engine start, making sure to cover vent hole in the center of the primer when pushing.

NOTE: DO NOT use primer to restart a warm engine after a short shutdown.

NOTE: Additional priming may be necessary if the temperature is below 15° Fahrenheit.

3. Grasp the recoil starter handle and slowly pull the rope out. At the point where it becomes slightly harder to pull the rope, slowly allow the rope to recoil.
4. Pull the starter handle with a firm, rapid stroke. Do not release the handle and allow it to snap back. Keep a firm hold on the starter handle and allow it to slowly recoil.
5. As the engine warms, slowly rotate the choke control to the OFF position. If the engine falters, quickly rotate the choke control back to the FULL position and then slowly into the OFF position again.

NOTE: Allow the engine to warm up for a few minutes after starting. The engine will not develop full power until it reaches operating temperatures.

Stopping The Engine

Run engine for a few minutes before stopping to help dry off any moisture on the engine.

- To help prevent possible starter freeze-up, proceed as follows:

Electric Starter (If Equipped)

1. Connect extension cord to the electric starter outlet on the engine, then to 120 volt AC outlet.
2. With the engine running, push the starter button and allow the starter for spin for several seconds. The noise made by the starter is normal. The engine's starter is not being harmed.
3. When disconnecting the extension cord, always unplug the end at the three-prong wall outlet before unplugging the opposite end from the snow thrower.
4. Move throttle control to STOP position.
5. Remove the ignition key (Do not turn key) to prevent unauthorized use of equipment.
6. Wipe all snow and moisture from the area around the engine as well as the area in and around the drive control and auger control. Also, engage and release both controls several times.

NOTE: Keep the key in a safe place. The engine cannot start without the ignition key.

Recoil Starter

1. With engine running, pull starter rope with a rapid, continuous full arm stroke three or four times. Pulling the starter rope will produce a loud clattering sound, which is not harmful to engine.
2. Move throttle control to STOP position.
3. Remove the ignition key (Do not turn key) to prevent unauthorized use of equipment.

NOTE: Keep the key in a safe place. The engine cannot start without the ignition key.

4. Wipe all snow and moisture from the area around the engine as well as the area in and around the drive control and auger control. Also, engage and release both controls several times.

To Engage Drive

1. With the engine running near top speed, move shift lever to one of six FORWARD positions or two REVERSE positions. Select a speed appropriate for the snow conditions that exist.
2. Squeeze drive control against the right handle and the snow thrower will move. Release it and the drive motion will stop.
3. To turn the unit left or right, squeeze the respective wheel steering control. See Figure 4-1.

To Engage Augers

1. To engage augers and start snow throwing, squeeze the left hand auger control against the left handle. Release to stop augers.
2. While the auger control is engaged, squeeze the drive control to move, release to stop. Do not shift speeds while the drive is engaged.

NOTE: This same lever also locks auger control so you can turn the chute control without interrupting the snow throwing process.

3. Release the auger control; the interlock mechanism should keep the auger control engaged until the drive control is released.
4. Release the drive control to stop both the augers and the wheel drive. To stop the auger, both levers must be released.

Auger Control Test

Perform the following test before operating your snow thrower for the first time and at the start of each winter.

Check the adjustment of the auger control as follows:

1. When the auger control is released and in the disengaged “up” position, the cable should have very little slack. It should NOT be tight.

2. In a well-ventilated area, start the snow thrower engine as instructed on the previous page. Make sure the throttle is set in the FAST position.
3. While standing in the operator’s position (behind the snow thrower), engage the auger.
4. Allow the auger to remain engaged for approximately ten (10) seconds before releasing the auger control. Repeat this several times.
5. With the throttle control in the FAST (rabbit) position and the auger control in the disengaged “up” position, walk to the front of the machine.
6. Confirm that the auger has completely stopped rotating and shows NO signs of motion. If the auger shows ANY signs of rotating, immediately return to the operator’s position and shut off the engine. Wait for ALL moving parts to stop before re-adjusting the auger control.
7. To readjust the control cable, loosen the upper hex nut on the auger cable bracket.
8. Position the bracket upward to provide more slack (or downward to increase cable tension). See Figure 4-2.
9. Retighten the upper hex nut.
10. Repeat Auger Control Test to verify proper adjustment has been achieved.

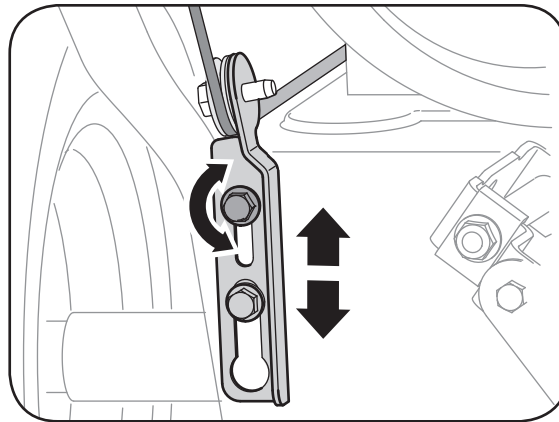


Figure 4-2

4



WARNING

Never use your hands to clean snow and ice from the chute assembly or auger housing.

The muffler, engine and surrounding areas become hot and can cause a burn. Do not touch.



When selecting a Drive Speed, use the slower speeds until you are comfortable and familiar with the operation of the snow thrower.

NEVER reposition the shift lever (change speeds or direction of travel) without first releasing the drive control and bringing the snow thrower to a complete stop. Doing so will result in premature wear to the snow thrower’s drive system.

5

Making Adjustments



WARNING

Read, understand, and follow all instructions and warnings on the machine and in this manual before operating.

Never attempt to make any adjustments while the engine is running, except where specified in operator's manual.

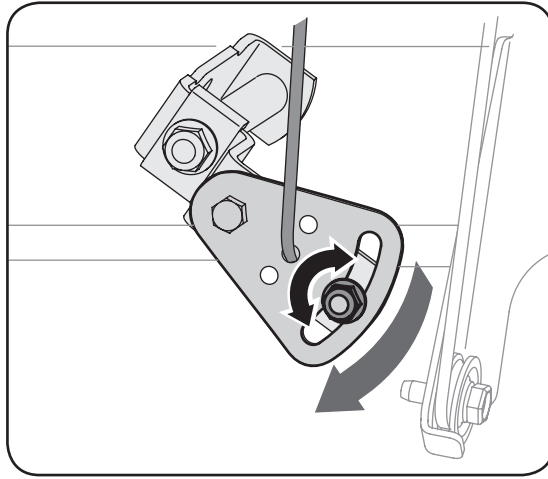


Figure 5-1

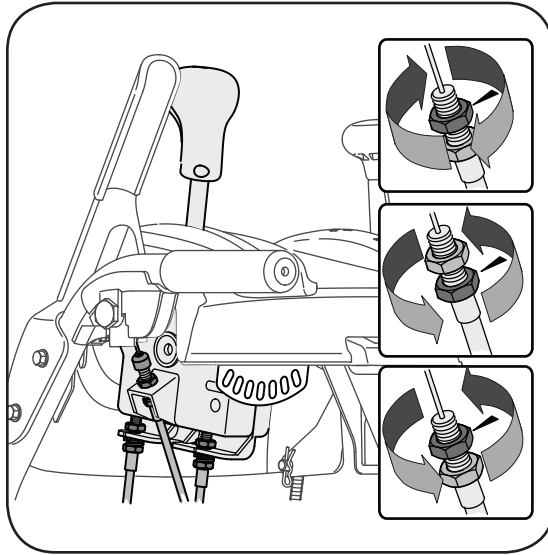


Figure 5-2

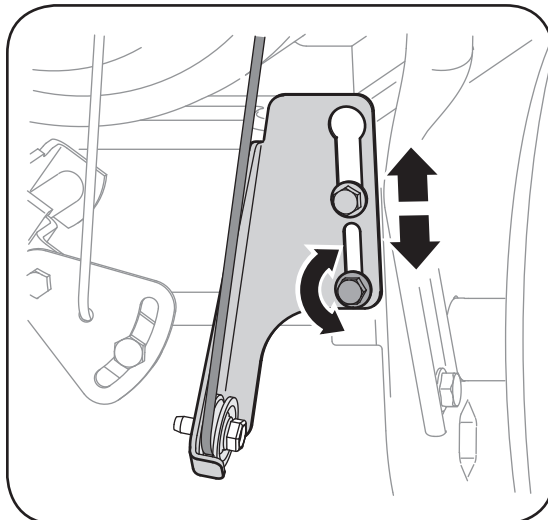


Figure 5-3

Shift Cable

If the full range of speeds (forward and reverse) cannot be achieved, refer to the figure to the left and adjust the shift cable as follows:

1. Place the shift lever in the **fastest** forward speed position.
2. Loosen the hex nut on the shift cable index bracket. See Figure 5-1.
3. Pivot the bracket downward to take up slack in the cable.
4. Retighten the hex nut.
5. Check for correct adjustment before operating the snow thrower.

Chute Control

Once a season or every 25 hours of operation, whichever is earlier, check whether the four-way chute control™ cables have slackened. If the chute does not rotate fully or its pitch cannot be moved up or down, the chute control cables will have to be adjusted.

To adjust these cables, proceed as follows:

1. To tighten cable, loosen the top nut and tighten the bottom nut on the cable.
2. Adjust equally on both sides by working on both cables. See Figure 5-2.

Drive Control & Shift Lever

When the drive control is released and in the disengaged “up” position, the cable should have very little slack. It should NOT be tight.

Check the adjustment of the drive control as follows:

1. With the drive control released, push the snow thrower gently forward. The unit should roll freely.
2. Engage the drive control and gently attempt to push the snow thrower forward. The wheels should not turn. The unit should not roll freely.
3. With the drive control released, move the shift lever back and forth between the R2 position and the F6 position several times. There should be no resistance in the shift lever.
4. If any of the above tests failed, the drive cable is in need of adjustment. Proceed as follows:
5. Loosen the lower hex nut on the drive cable bracket. See Figure 5-3.
6. Position the bracket upward to provide more slack (or downward to increase cable tension).
7. Retighten the lower hex nut.

You can also check the adjustment as follows:

1. With the snow thrower tipped forward (be certain to drain gasoline or place plastic film under the gas cap if the snow thrower has already been operated), remove the frame cover underneath the snow thrower by removing the self-tapping screws. See Figure 6-5 on page 17.

2. With the drive control released, there must be 1/8" clearance between the friction wheel and the drive pulley in all positions of the shift lever.
3. With the drive control engaged, the friction wheel must contact the drive pulley. See Figure 6-8.
4. If adjustment is necessary, loosen the lower hex nut on the drive cable index bracket and pivot the bracket upward or downward as necessary. Refer to Figure 5-3. Tighten the lower hex nut to secure the bracket when correct adjustment is reached.
5. Reassemble the frame cover and return the unit back to its operating position.

NOTE: If you placed plastic under the gas cap, be certain to remove it now.

Skid Shoes

The space between this shave plate and the ground can be adjusted. For close snow removal, place skid shoes in the low position. Use middle or high position when area to be cleared is uneven.

1. Adjust skid shoes by loosening the four lock nuts and carriage bolts and moving skid shoes to desired position. See Figure 5-4 or 5-5.
2. Make certain the entire bottom surface of skid shoes are against the ground to avoid uneven wear on the skid shoes.
3. Tighten nuts and bolts securely.

NOTE: Some models are equipped with heavy duty skid shoes and may be turned over to increase their lifespan. See Figure 5-5. If shoes are turned they must also change sides to ensure the "A" on the shoe is towards the front of the unit.

Auger Control

To adjust the auger control, refer to page 13.

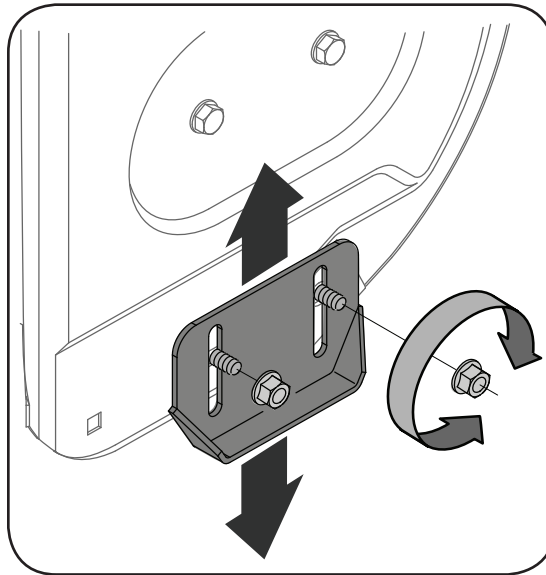


Figure 5-4 - Standard Skid Shoe

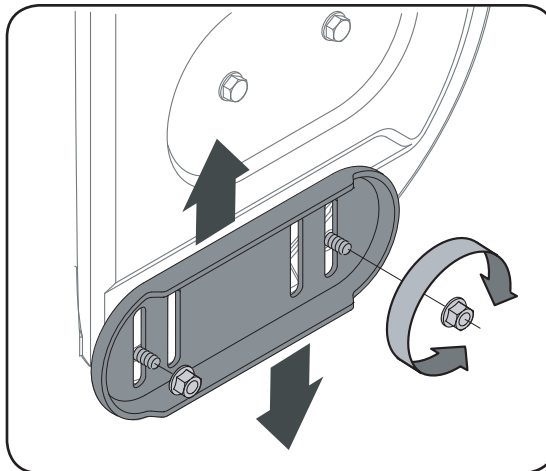


Figure 5-5 - Reversible Skid Shoe

5

Making Adjustments



IMPORTANT

It is not recommended that you operate this snow thrower on gravel as loose gravel can be easily picked up and thrown by the auger causing personal injury or damage to the snow thrower.

If for some reason, you have to operate the snow thrower on gravel, keep the skid shoe in the highest position for maximum clearance between the ground and the shave plate.

6

Maintaining Your Snow Thrower



WARNING

Before lubricating, repairing, or inspecting, disengage all controls and stop engine. Wait until all moving parts have come to a complete stop.



Keep all grease and oil off of the rubber friction wheel and aluminum drive plate.

Engine

Refer to the separate engine manual packed with your unit for all engine maintenance.

Lubrication

Engine

Refer to the separate engine manual packed with your unit for all engine lubrication instructions.

Gear Shaft

The gear (hex) shaft should be lubricated at least once a season or after every 25 hours of operation.

1. Carefully pivot the snow thrower up and forward so that it rests on the auger housing.
2. Remove the lower frame cover by removing the two screws which secure it.
3. Apply a light coating of an all-weather multi-purpose oil to the hex shaft. See Figure 6-1.

NOTE: Avoid getting oil on rubber friction wheel and aluminum drive plate.

Wheels

At least once a season, remove both wheels. Clean and coat the axles with a multipurpose automotive grease before reinstalling wheels.

Chute Directional Control (optional)

Once a season, the joystick should be lubricated with petroleum jelly, linseed oil, mineral oil, paraffin wax or 3-in-1 oil.

Auger Shaft

At least once a season, remove the shear pins on auger shaft. Spray lubricant inside shaft, around the spacers. Also lubricate the flange bearings found at either end of the shaft. See Figure 6-2.

Augers

- The augers are secured to the spiral shaft with two shear pins and cotter pins. If the auger should strike a foreign object or ice jam, the snow thrower is designed so that the pins may shear. Refer to Figure 6-2.
- If the augers will not turn, check to see if the pins have sheared. One set of replacement shear pins has been provided with the snow thrower. When replacing pins, spray an oil lubricant into shaft before inserting new pins.

Shave Plate and Skid Shoes

The shave plate and skid shoes on the bottom of the snow thrower are subject to wear. They should be checked periodically and replaced when necessary.

To remove skid shoes:

1. Remove the four carriage bolts and hex flange nuts which secure them to the snow thrower.
2. Reassemble new skid shoes with the four carriage bolts (two on each side) and hex flange nuts. Refer to Figure 6-3.

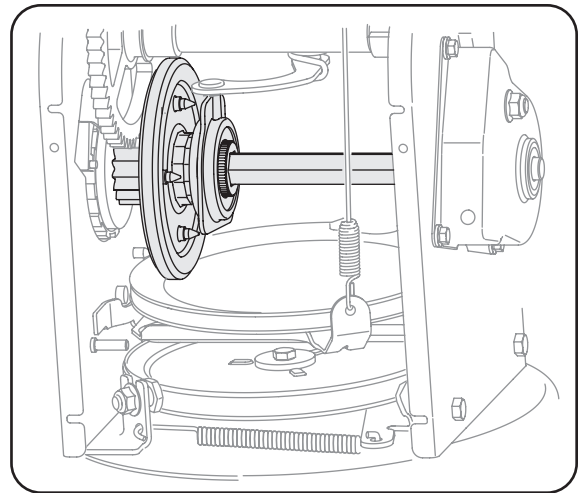


Figure 6-1

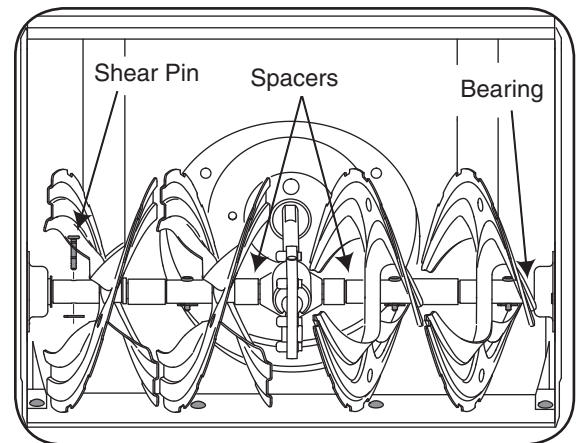


Figure 6-2

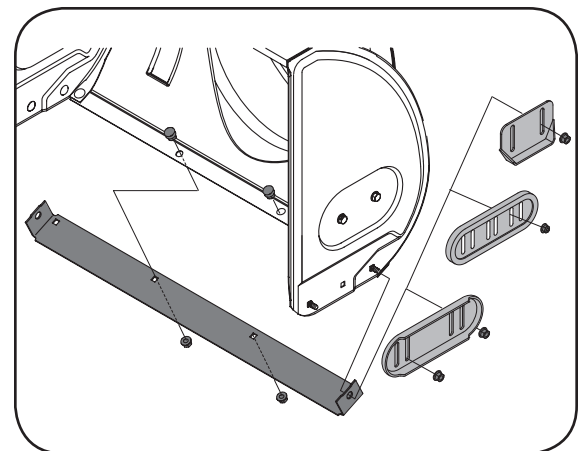


Figure 6-3

To remove shave plate:

1. Remove the carriage bolts and hex nuts which attach it and the skid shoes to the snow thrower housing.
2. Reassemble new shave plate, making sure heads of carriage bolts are to the inside of housing. Tighten securely.

Auger Belt Replacement

To remove and replace your snow thrower's auger belt, proceed as follows:

1. Remove the plastic belt cover on the front of the engine by removing the two self-tapping screws. See Figure 6-4.

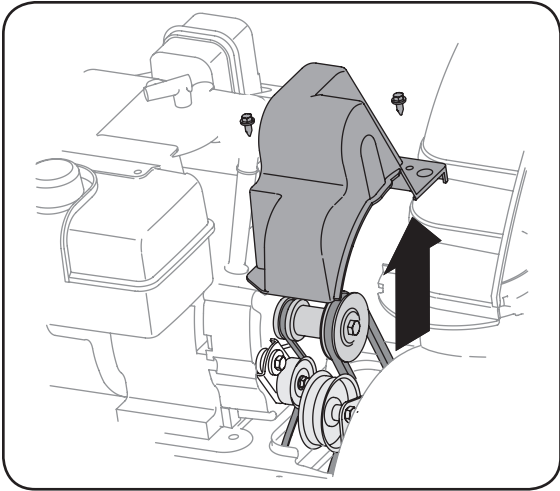


Figure 6-4

NOTE: Drain the gasoline from the snow thrower, or place a piece of plastic under the gas cap.

2. Carefully pivot the snow thrower up and forward so that it rests on the auger housing. Remove the frame cover from the underside of the snow thrower by removing four self-tapping screws which secure it. See Figure 6-5.
3. Roll the auger belt off the engine pulley. See Figure 6-6.
4. a. Loosen and remove the shoulder screw which acts as a belt keeper. See Figure 6-7.
b. Unhook the support bracket spring from the frame.
5. Remove the belt from around the auger pulley, and slip the belt between the support bracket and the auger pulley. Reassemble auger belt by following instructions in reverse order. See Figure 6-8.

NOTE: Do NOT forget to reinstall the shoulder screw and reconnect the spring to the frame after installing a replacement auger belt and to remove the piece of plastic from under the gas cap.

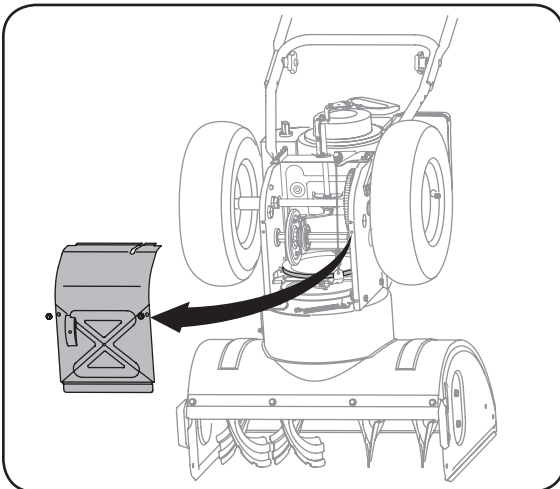


Figure 6-5

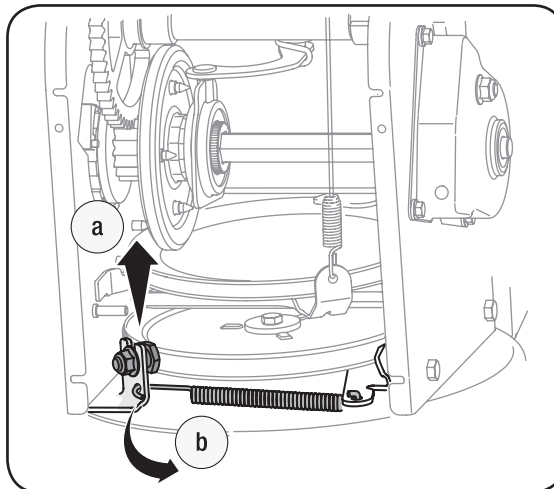


Figure 6-7

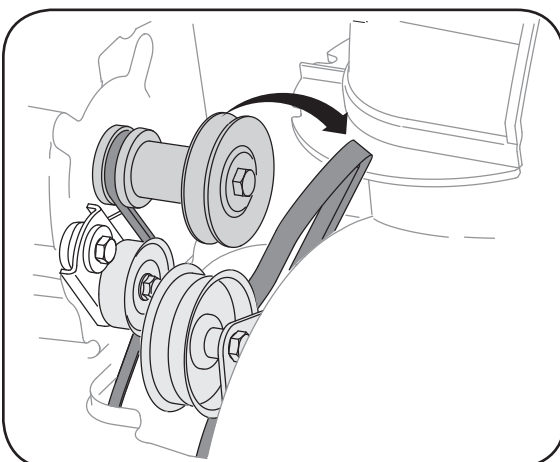


Figure 6-6

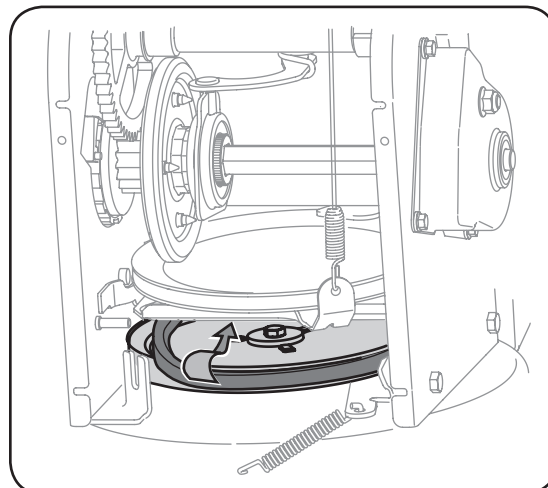


Figure 6-8

6

Maintaining Your Snow Thrower



NOTE: Although multi-viscosity oils (5W30, 10W30 etc.) improve starting in cold weather, these multi-viscosity oils also result in higher oil consumption when used above 32°F (0°C). Check your snow thrower's engine oil level more frequently to avoid possible engine damage from running low on oil.

NOTE: Do not sand-blast spark plug. Spark plug should be cleaned by scraping or wire brushing and washing with a commercial solvent.

IMPORTANT
NEVER replace the auger shear pins with standard pins. Any damage to the auger gearbox or other components, as a result of doing so, will NOT be covered by your snow thrower's warranty.

6

Maintaining Your Snow Thrower



NEVER replace the auger shear pins with standard hex pins. Any damage to the auger gearbox or other components as a result of failing to do so will NOT be covered by your snow thrower's warranty.

Drive Belt Replacement

To remove and replace your snow thrower's auger belt, proceed as follows:

1. Remove the plastic belt cover on the front of the engine by removing the two self-tapping screws. See Figure 6-4.
2. Drain the gasoline from the snow thrower, or place a piece of plastic under the gas cap.
3. Carefully pivot the snow thrower up and forward so that it rests on the auger housing. See Figure 6-5.
4. Remove the frame cover from the underside of the snow thrower by removing four self-tapping screws which secure it. See Figure 6-5.
5. a. Use a wrench to pivot the idler pulley toward the right. See Figure 6-9.
b. Roll the auger belt off the engine pulley.
c. Lift the drive belt off engine pulley.
6. Slip the drive belt off the pulley and between friction wheel and friction wheel disc. See Figure 6-10.
7. Remove and replace belt in the reverse order.

Friction Wheel Inspection

If the snow thrower fails to drive with the drive control engaged, and performing the drive control cable adjustment fails to correct the problem, the friction wheel may need to be replaced.

NOTE: Special tools are required and several components must be removed and in order to replace the snow thrower's friction wheel rubber. See an authorized Service Dealer to have the friction wheel rubber replaced or phone Customer Support as instructed on page 2 for information on ordering a Service Manual.

To inspect the friction wheel, proceed as follows:

1. Place a piece of plastic under the gas cap and tighten securely.
2. Carefully pivot the snow thrower up and forward so that it rests on the auger housing. See Figure 6-5.
3. Remove the frame cover from the underside of the snow thrower by removing four self-tapping screws which secure it. See Figure 6-5.
4. Examine the friction wheel for signs of wear or cracking. See Figure 6-11.

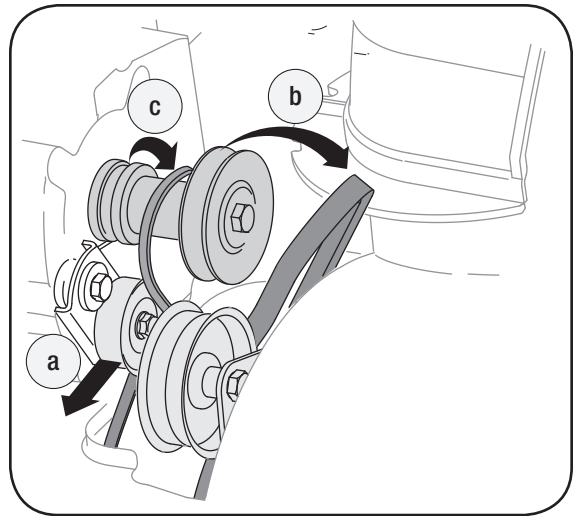


Figure 6-9

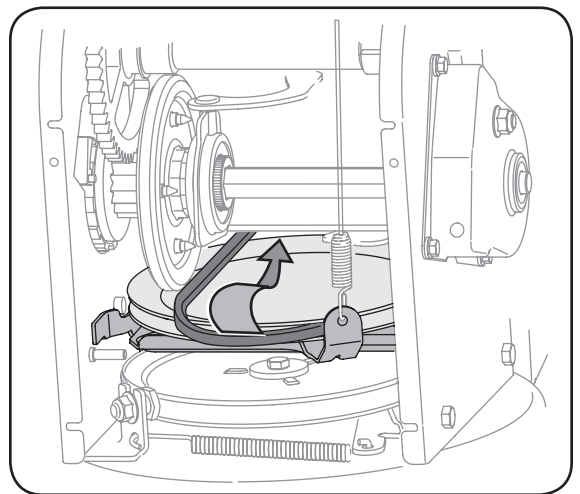


Figure 6-10

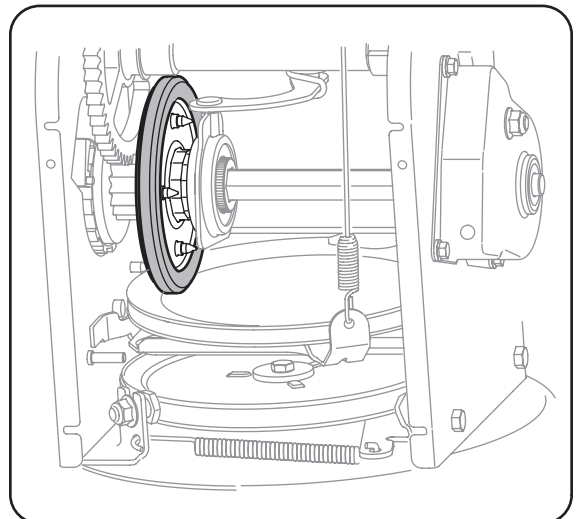


Figure 6-11

Observe the following, when preparing your snow thrower for off-season storage:

- Drain fuel into an approved container outdoors, away from any open flame. Allow engine to cool. Extinguish cigarettes, cigars, pipes and other sources of ignition prior to draining fuel. Fuel left in engine during warm weather deteriorates and will cause serious starting problems.
- If unit is to be stored over 30 days, prepare for storage as instructed in the separate engine manual packed with your unit.
- Run engine until fuel tank is empty and engine stops due to lack of fuel.
- Remove gasoline from carburetor and fuel tank to prevent gum deposits from forming on these parts and causing possible malfunction of engine.
- Drain carburetor by pressing upward on bowl drain, located below the carburetor cover.
- Fuel stabilizers, such as STA-BIL®, are an acceptable alternative in minimizing the formation of fuel gum deposits during storage. Do not drain carburetor if using a fuel stabilizer.
- Wipe equipment with an oiled rag to prevent rust.
- Remove spark plug and pour one ounce of engine oil through spark plug hole into cylinder. Cover spark plug hole with rag. Crank engine several times to distribute oil. Replace spark plug.
- Follow the lubrication recommendations found in the Maintenance Section.
- Always store the snow thrower in a clean, dry area.

7

Off-Season Storage



WARNING

Never store snow thrower with fuel in tank indoors or in poorly ventilated areas, where fuel fumes may reach an open flame, spark or pilot light as on a furnace, water heater, clothes dryer or gas appliance.

Drain fuel into an approved container outdoors, away from any open flame. Be certain engine is cool. Do not smoke. Fuel left in engine during warm weather deteriorates and will cause serious starting problems.

Do not drain carburetor if using fuel stabilizer. Never use engine or carburetor cleaning products in the fuel tank or permanent damage may occur.

8

Trouble-Shooting



NOTE: This section addresses minor service issues. For further details, contact customer assistance.

Problem	Cause	Remedy
Engine fails to start	<ol style="list-style-type: none"> 1. Choke not in ON position. 2. Spark plug wire disconnected. 3. Fuel tank empty or stale fuel. 4. Engine not primed. 5. Faulty spark plug. 6. Blocked fuel line. 7. Safety key not in ignition on engine. 8. Fuel shut-off valve closed. (If Equipped) 	<ol style="list-style-type: none"> 1. Move choke to ON position. 2. Connect wire to spark plug. 3. Fill tank with clean, fresh gasoline. 4. Prime engine as instructed in "Operating Your Snow Thrower". 5. Clean, adjust gap, or replace. 6. Clean fuel line. 7. Insert key fully into the switch. 8. Open fuel shut-off valve.
Engine runs erratic	<ol style="list-style-type: none"> 1. Unit running on CHOKE. 2. Blocked fuel line or stale fuel. 3. Water or dirt in fuel system. 4. Carburetor out of adjustment. 	<ol style="list-style-type: none"> 1. Move choke lever to OFF position. 2. Clean fuel line; fill tank with clean, fresh gasoline. 3. Drain fuel tank. Refill with fresh fuel. 4. Contact Service Center.
Engine overheats	<ol style="list-style-type: none"> 1. Carburetor not adjusted properly. 	<ol style="list-style-type: none"> 1. Contact Service Center.
Excessive Vibration	<ol style="list-style-type: none"> 1. Loose parts or damaged auger. 	<ol style="list-style-type: none"> 1. Stop engine immediately and disconnect spark plug wire. Tighten all bolts and nuts. If vibration continues, have unit serviced by a Service Center.
Loss of power	<ol style="list-style-type: none"> 1. Spark plug wire loose. 2. Gas cap vent hole plugged. 3. Exhaust port plugged. 	<ol style="list-style-type: none"> 1. Connect and tighten spark plug wire. 2. Remove ice and snow from gas cap. Be certain vent hole is clear. 3. Contact Service Center.
Unit fails to propel itself	<ol style="list-style-type: none"> 1. Drive control cable in need of adjustment. 2. Drive belt loose or damaged. 	<ol style="list-style-type: none"> 1. Adjust drive control cable. Refer to "Adjustments". 2. Replace drive belt.
Unit fails to discharge snow	<ol style="list-style-type: none"> 1. Chute assembly clogged. 2. Foreign object lodged in auger. 3. Auger control cable in need of adjustment. 4. Auger belt loose or damaged. 5. Shear pin(s) sheared. 	<ol style="list-style-type: none"> 1. Stop engine immediately and disconnect spark plug wire. Clean chute assembly and inside of auger housing with clean-out tool or a stick. 2. Stop engine immediately and disconnect spark plug wire. Remove object from auger with clean-out tool or a stick. 3. Refer to "Auger Control Test" . 4. Refer to Maintenance section. 5. Replace with new shear pin(s).

FOUR YEAR SUPREME WARRANTY:

For four years from date of retail purchase within Canada, MTD PRODUCTS LIMITED will, at its option, repair or replace, for the original purchaser, free of charge, any part or parts found to be defective in material or workmanship. This warranty covers units which have been operated and maintained in accordance with the owner's instructions furnished with the unit, and which have not been subject to misuse, abuse, commercial use, neglect, accident improper maintenance or alteration. Normal wear parts or components thereof are subject to special terms as noted below in the Ninety Day Consumer Warranty clause.

The engine, starter motor or component parts thereof carry separate warranties from their manufacturers. Please refer to the applicable manufacturer's warranty policy for these items.

Ninety Day Consumer Warranty on Normal Wear Parts: All normal wear part failures will be covered on this product for a period of 90 days. After 90 days but within the four year warranty period, normal wear part failures will be covered if caused by defects in material or workmanship of other component parts. Normal wear parts are defined as batteries, belts, blades, blade adaptors, grass bags, rider deck wheels, seats, tires and clutch parts (friction wheels).

Full Ninety Day Warranty on Battery (if equipped): For ninety (90) days from the date of retail purchase, if any battery included with this unit proves defective in material or workmanship and our testing determines the battery will not hold a charge, MTD PRODUCTS LIMITED will replace the battery at no charge to the original purchaser.

Additional Limited Thirty Day Warranty on Battery (if equipped): After ninety (90) days but within one hundred twenty (120) days from the date of purchase, MTD PRODUCTS LIMITED will replace the defective battery, for the original purchaser, for a cost of one-half (½) of the current retail price of the battery in effect at the date of return.

Personal use: THE FOREGOING PARAGRAPHS CONSTITUTE THE MANUFACTURER'S ENTIRE WARRANTY WITH RESPECT TO ANY PRODUCT PURCHASED AND USED FOR PERSONAL FAMILY, HOUSEHOLD/RESIDENTIAL PURPOSES, AS DISTINGUISHED FROM COMMERCIAL USAGE.

Commercial use: ALL APPLICATIONS OTHER THAN PERSONAL USE AS OUTLINED ABOVE, ARE CONSIDERED COMMERCIAL USAGE.

New products purchased for commercial usage are warranted in the same manner and to the same extent EXCEPT the term of warranty will be 90 DAYS from date of purchase.

How to Obtain Service: Warranty service is available, with proof of purchase, through your local MTD Authorized Service Dealer. If you do not know the dealer in your area, please write to the Service Department of MTD PRODUCTS LIMITED, P.O. BOX 1386, KITCHENER, ONTARIO N2G 4J1. The return of a complete unit will not be accepted by the factory unless prior written permission has been extended by MTD PRODUCTS LIMITED.

Other Warranties: All other warranties, express or implied, including any implied warranty of merchantability is limited in its duration to that set forth in this express limited warranty. The provisions as set forth in this warranty provide the sole and exclusive remedy of MTD PRODUCTS LIMITED obligations arising from the sale of its products. MTD PRODUCTS LIMITED will not be liable for incidental or consequential loss or damage.

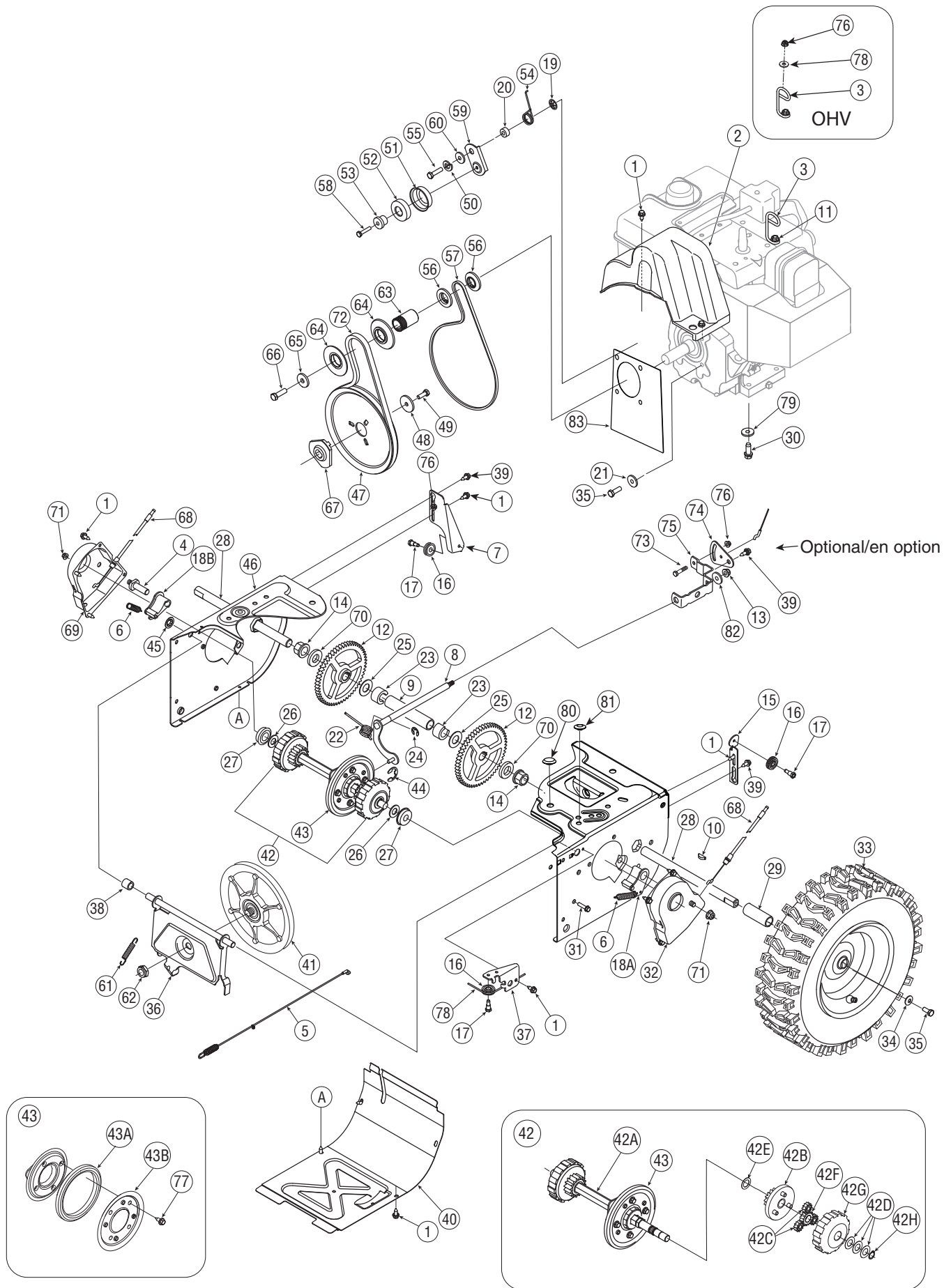
9

Warranty



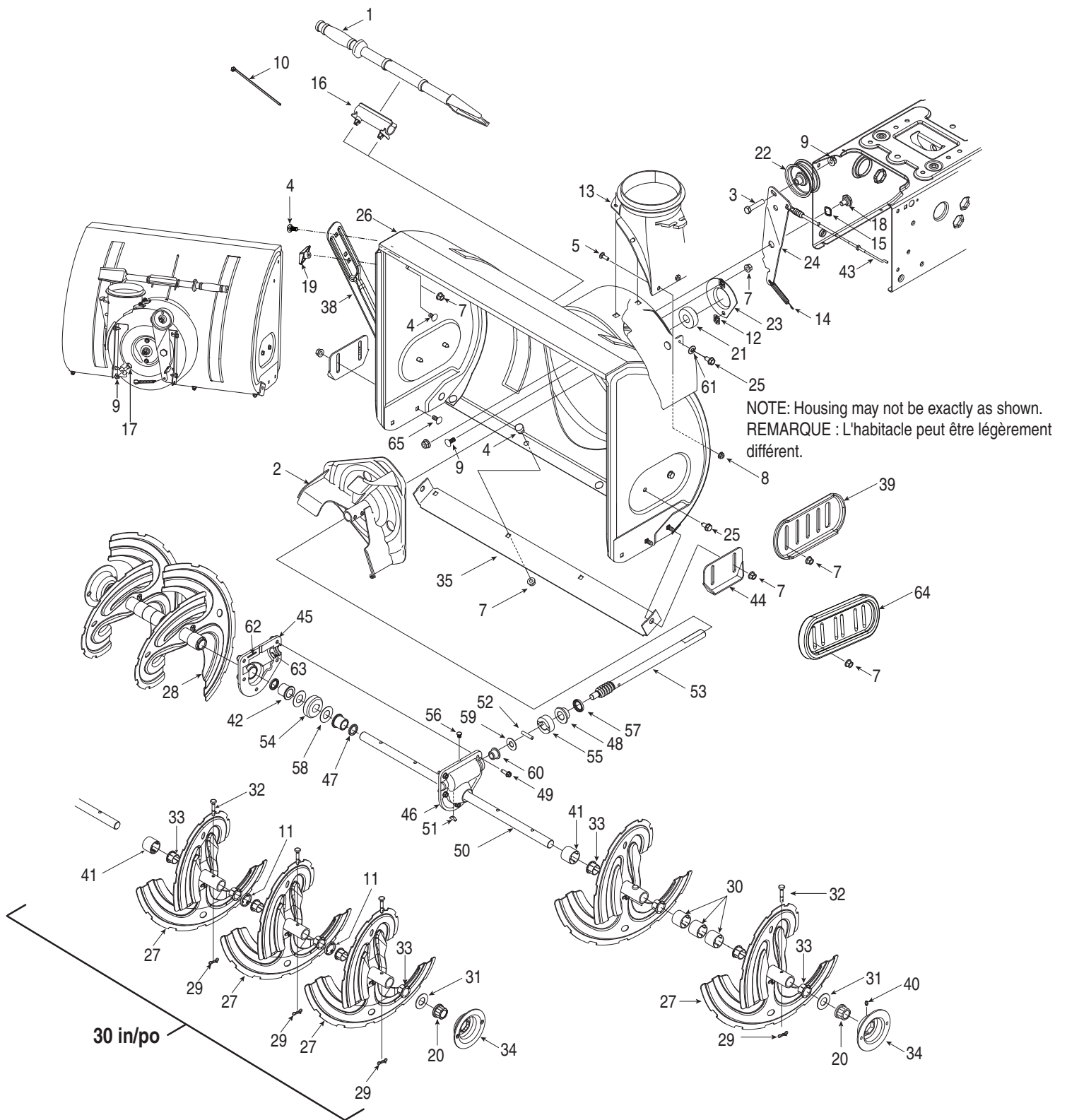
Failure to comply with suggested maintenance and lubrication specifications will void warranty.

12.08.06



REF NO. N° DE RÉF	PART NO. N° DE PIÈCE	DESCRIPTION	DESCRIPTION
1	710-1652	Hex Wash Hd TT Scr. 1/4-20 x .625	Vis taraudée 1/4-20 x 0,625
2	731-04792A	Belt Cover (w/4 Way Chute Control)	Couvre-courroie (avec comm. de la goulotte à 4 fonctions)
	731-05353	Belt Cover (Std.)	Couvre-courroie (Std.)
3	732-0705	Cable Control Wire	Fil de commande de la câble
4	711-1268B	Drive Shaft Actuator	Régulateur
5	746-04229	Drive Clutch Cable 44.83" Lg.	Câble de l'entraînement 44,83 po de lg.
6	732-04345	Extension Spring .5 OD x 1.71 Lg.	Ressort d'extension 0,5 DE x 1,71 po de lg.
7	790-00207A	Guide Bracket - Drive Cable	Support - câble de l'entraînement
8	684-04156A	Shift Rod Ass'y	Tige de changement de la vitesses
9	750-04474	Axle Support Tube	Tuyau de support de l'essieu
10	710-0126	#9 HI-Pro Key 3/16 x 3/4 Dia HT	Clavette HI-Pro no. 9 - 3/16 x 3/4 dia.
11	710-0602	Hex Wash Hd Tapp Scr 5/16-18 x 1.00	Vis auto-fileteuse à tête hex et rondelle 5/16-18
12	717-04210	Gear, 56T	Engrenage 56 dents
13	712-04063	Flange Lock-Nut 5/16-18 Gr. F Nylon	Contre-écrou à embase 5/16-18Qual. F nylon
14	741-0245	Hex. Flange Bearing.751" ID	Roulement à bride à six pans 0,751 DI
15	790-00206A	Guide Bracket - Auger Cable	Support - Câble de tarière
16	756-0625	Cable Guide Roller	Guide du câble
17	738-0924A	Hex Shld.Scr.1/4-28 x .375	Vis à épaulement 1/4-28 x 0,375
18A	618-04288	Dogg Assembly - LH	CG - cliquet
18B	618-04287	Dogg Assembly - RH	CD - cliquet
19	726-04012	Push Nut	Écrou à enfonceur
20	750-04477	Spacer .340 x .750 x .360" Lg.	Entretoise 0,340 x 0,750 x 0,360 po de lg.
21	748-0234	Shoulder Spacer	Entretoise à épaulement
22	732-04311	Torsion Spring .750 ID x .968" Lg.	Ressort de torsion 0,750 DI x 0,968 po de lg.
23	731-05297	Spacer	Entretoise
24	716-0104	Retaining Ring	Anneau de retenue
25	736-0188	Flat Washer .760 ID x 1.49 OD	Rondelle plate 0,760 DI x 1,49 DE
26	736-0626	Flat Washer .580 x 1.125 x .080	Rondelle plate 0,580 x 1,125 x 0,080
27	741-04076	Ball Bearing	Roulement à billes
28	738-04180	Axle	Essieu
29	731-04873	Spacer	Entretoise
30	710-0654A	Hex Wash HD Tap Scr 3/8-16 x .88	Vis autotaraudée 3/8-16 x 0,88
31	710-0788	Hex Bolt 1/4-20 x 1.00	Vis à tête hex. 1/4-20 x 1,00
32	790-00185	Shaft Retainer - LH	Retenue d'arbre CG
33		See chart on page 30.	Voir tableau de la page 30.
34	736-0242	Cupped Washer .345 ID x .88 OD x .060	Rondelle creuse 0,345 DI x 0,88 DE x 0,060
35	710-0627	Hex L-Bolt 5/16-24 x .75 Gr. 5	Boulon hex. 5/16-24 x 0,75 Qual. 5
36	684-04154	Friction Wheel Support Brkt Ass'y	Support de la roue du friction
37	790-00096	Auger Cable Guide Bracket	Support, guide de la câble de la tarière
38	748-0190	Spacer .513 ID x 1.0	Entretoise 0,513 DI x 1,0
39	738-04184A	Shoulder Screw .373 x .105:TT 1/4-20	Vis à épaulement 0,373 x 0,105:1/4-20
40	790-00316	Frame Cover	Couvercle
41	656-04025A	Friction Wheel Disc Assembly	Disque de roue du friction
42	618-04283A	Drive Shaft Assembly (w/o Friction Wheel Ass'y)	Arbre d'entraînement (sans ensemble de la roue frottement)
42A	711-04416A	Hex Drive Shaft (500)	Arbre d'entraînement (500)
42B	618-04284	Planetary Carrier Ass'y	Porte-roue
42C	717-1209A	Gear 12T	Engrenage 12 dents
42D	736-0502	Flat Washer .58 x 1.12 x .02	Rondelle plate 0,58 x 1,12 x 0,02
42E	736-0336	Flat Washer 5/8 ID x 1.0 OD	Rondelle plate 5/8 DI x 1,0 DE
42F	717-1210A	Gear 18T	Engrenage 18 dents
42G	618-04285	Ring Planetary Gear Ass'y (500)	Ensemble de l'engrenage (500)
42H	716-0194	Retaining Ring 1.56 diam.	Bague de retenue 1,56 diam.
43	684-04159	Friction Wheel Assembly	Ensemble de la roue de frottement
43A	735-04054	Friction Wheel Rubber	Roue du friction en caoutchouc
43B	790-00174	Friction Plate	Plaque du friction
44	716-0136	Retainer Ring	Bague de retenue
45	726-0221	Cap Speed Nut 1/4 Rod	Chapeau à enfonceur
46	790-00183B	Wheel Drive Frame	Châssis de l'entraînement de roue
47	756-04109	Auger Pulley	Poulie de la tarière
48	736-0505	Flat Washer .34 x 1.50 x .150	Rondelle plate 0,34 x 1,50 x 0,150
49	710-1245B	Hex Bolt 5/16-24 x 0.875	Boulon hex. 5/16-24 x 0,875
50	736-0119	L-Wash 5/16 ID	Rondelle frein 5/16 DI
51	790-00230	Bearing Sleeve	Roulement
52	741-0919	Ball Bearing 20 x 47 x 14:6204:DS	Roulement à billes 20 x 47 x 14:6204:DS
53	750-04571	Spacer	Entretoise
54	732-04308A	Torsion Spring .850 ID x .354" Lg.	Ressort de torsion 0,850 DI x 0,354 po de lg.
55	710-0672	Hex HD. Cap Scr. 5/16-24 x 1.25 Lg.	Vis à tête hexagonale 5/16-24 x 1,25 po de lg
56	756-04252	Pulley Half	Poulie, demi
57	754-0367	Belt 3/8 X 34.4" Lg.	Courroie trapézoïdale 3/8 X 34,4 po de lg.
58	710-0809	Hex Bolt 1/4-20 x 1.25	Boulon hex. 1/4-20 x 1,25
59	790-00208A	Wheel Drive Idler Bracket	Support
60	748-04112A	Shoulder Spacer	Entretoise épaulée
61	732-0264	Extension Spring 3/8 OD x 2.50	Ressort d'extension 3/8 DE x 2,50
62	712-0413	Jam L-Nut 5/8-18 Gr. 5 Nylon	Écrou de blocage 5/8-18 Qual. 5 Nylon
63	750-04303	Spacer .875 ID x 1.185 OD	Entretoise 0,875 DI x 1,185 DE
64	756-04113	Pulley Half	Moitié poulie
65	736-0247	Flat Washer .40 ID x 1.25 OD x .160	Rondelle plate 0,40 DI x 1,25 DE x 0,160
66	710-0191	Hex Screw 3/8-24 x 1.25	Vis à tête hexagonale 3/8-24 x 1,25
67	748-04053A	Pulley Adapter	Adaptateur de la poulie
68	746-0956A	Steering Cable	Câble
69	790-00186	Shaft Retainer - RH	Retenue d'arbre CD
70	750-0767	Axle Spacer	Entretoise - essieu
71	712-04065	Flange Lock-Nut 3/8-16 Gr. F Nylon	Contre-écrou à embase 3/8-16 Qual. F nylon
72	754-04050	Belt .5 x 35.0" Lg.	Courroie 0,5 x 35,0 po de lg.
73	710-0751	Hex Bolt 1/4-20 x .62 Gr. 5	Boulon hexagonale 1/4-20 x 0,62 Qual. 5
74	790-00217A	Pivot Bracket	Support de pivot
75	790-00218A	Shift Bracket	Support de changement de la vitesses
76	712-04064	Flange Lock-Nut 1/4-20 Gr. F Nylon	Contre-écrou à embase 1/4-20 Qual. F nylon
77	710-0896	Hex Wash. Hd. TT Scr. 1/4-14 x .625	Vis taraudée 1/4-14 x 0,625
78	736-0173	Flat Washer .28 ID x .74 DE x .063	Rondelle frein 0,28 DI x 0,74 DE x 0,063
79	736-0320	Flat Washer .38 x 1.38 x .125 (Rear left hole)(w/Tec. 318-358 cc engine)	Rondelle plate 0,38 x 1,28 x 0,125 (arrière gauche trou) (avec Tec. 318-358 cc moteur)
80	735-04100	Plug 1/2"	Bouchon 1/2 po
81	735-04099	Plug 3/8"	Bouchon 3/8 po
82	736-3015	Flat Washer .469 x .875 x .105	Rondelle plate 0,469 x 0,875 x 0,105
83	790-00289A	Cover Plate (optional)	Plaque (en option)
84	746-04230	Auger Clutch Cable 47.23" Lg.	Câble de la tarière 47,23 po de lg.

31A-5003
09.27.07



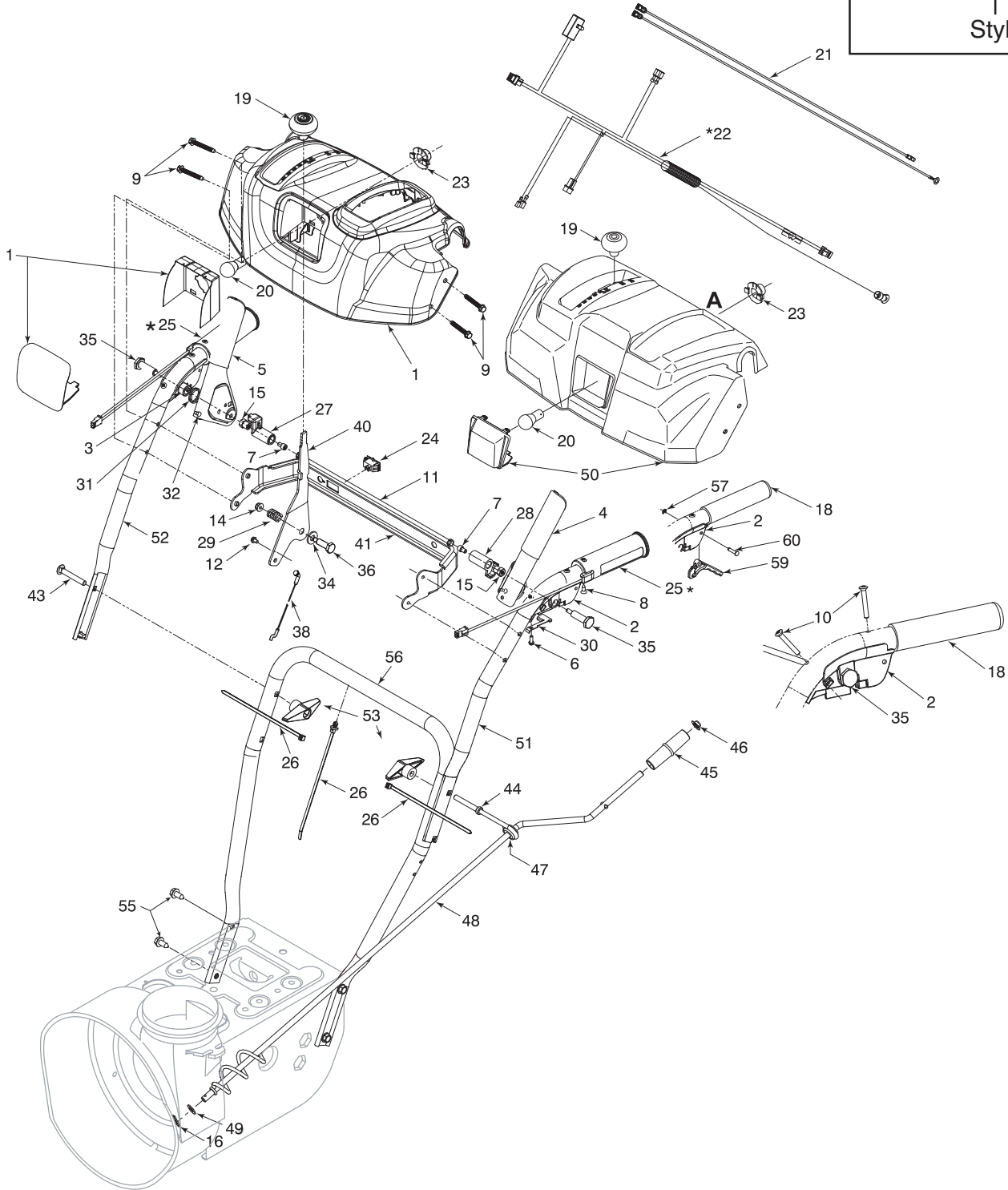
REF NO. N° DE RÉF	PART NO. N° DE PIÈCE	DESCRIPTION	DESCRIPTION
1	731-2643	Clean-Out Tool	Outil de dégagement de la goulotte
2	684-04057A	Impeller Ass'y 12 po	Ventilateur
3	710-0347	Hex Screw 3/8-16 x 1.75	Vis à tête hex 3/8-16 x 1,75
4	710-0451	Carriage Bolt 5/16-18 x .75	Boulon ordinaire 5/16-18 x 0,75
5	710-0703	Carriage Screw 1/4-20 x .75 Gr. 5	Boulon ordinaire 1/4-20 x 0,75 Qual. 5
7	712-04063	Flange Locknut 5/16-18 Gr. F Nylon	Contre-écrou à embase 5/16-18 Qual. F nylon
8	712-04064	Hex L-Flanged Nut 1/4-20 Gr. F Nylon	Contre-écrou à embase 1/4-20 Qual. F nylon
9	712-04065	Hex L-Flanged Nut 3/8-16 Gr. F Nylon	Contre-écrou à embase 3/8-16 Qual. F nylon
10	725-0157	Cable Tie	Attache câble
11	731-04871	Spacer 1.25 x .75 x 3/16" Lg.	Entretoise 1,25 x 0,75 x 3/16 po de lg.
12	726-04012	Push-on Nut .25 dia.	Écrou pousser 0,25 diam.
13	731-04705	Chute Adapter	Adaptateur de goulotte d'éjection
14	732-04460	Extension Spring .38 OD x 4.59" Lg.	Ressort d'extension 0,38 DE x 4,59 po de lg.
15	736-0174	Wave Washer .660 ID x .88 OD x .010	Rondelle ondulée 0,660 DI x 0,88 DE x 0,010
16	731-2635	Cleanout Tool Mount	Montage de la outil de dégagement de la goulotte
17	738-0143	Shld. Scr. .500 Dia. x .335" Lg.	Vis à épaulement dia. 0,500 po x 0,335 po de lg.
18	738-0281	Shoulder Scr .625 Dia x .170	Vis à épaulement dia 0,625 x 0,170 po
19	720-0284	Hand Knob	Bouton
20	741-0245	Hex. Flange Brg. .751" I.D.	Roulement 0,75 DI
21	741-0309	Self-aligning bearing	Roulement auto-aligneur
22	756-0981B	Flat Idler Pulley 2.75" OD	Poulie tendeur 2,75 DE
23	790-00075	Bearing Housing 1.85 ID	Carter de la roulement 1,85 DI
24	790-00080A	Auger Idler Brake Bracket	Support
25	710-04484	Hex TT Screw 3/8-16 x .75	Vis taraudée 3/8-16 x 0,75
26		See chart on page 30.	Voir tableau de la page 30.
27	684-04107	Spiral Ass'y LH	Tarière CG
28	684-04108	Spiral Ass'y RH	Tarière CD
29	714-04040	Bow Tie Cotter Pin	Goupille fendue
30		See chart on page 30.	Voir tableau de la page 30.
31	736-0188	Flat Washer .760 ID x 1.49 OD	Rondelle plate 0,760 DI x 1,49 DE
32	738-04124A	Shear Pin .25 x 1.5 Gr. 2	Goupille de cisaillement 0,25 x 1,5 po de lg
33	741-0493A	Flange Bushing	Collet à bride
34	790-00087A	Bushing Housing	Carter de la collet
	790-00138A	Bushing Housing (w/grease fitting hole)	Carter de la collet (avec trou pour raccord de graissage)
35		See chart on page 30.	Voir tableau de la page 30.
38	790-00181	Drift Cutter - Optional	Virole de réglage - en option
39	790-00091	Reversible Slide Shoe (steel)	Patin réversible (acier)
40	737-3000	Grease Fitting (optional)	Raccord de graissage (en option)
41	731-04870	Spacer 1.25 x .75 x 1.00	Entretoise 1,25 x 0,75 x 1,00 po de lg.
42	741-0661A	Flange Bearing .75 ID x 1.0 OD x .975	Roulement 0,75 DI x 1,0 DE x 0,975
43	746-04230	Auger Clutch Cable	Câble de tarière
44	784-5580	Slide Shoe	Sabot coulissant
45	719-04291	RH Reduced Auger Housing	Carter de l'engrenage CD
46	719-04292	LH Reduced Auger Housing	Carter de l'engrenage CG
47	721-0338	Oil Seal .75 x 1.0 x .125	Joint d'étanchéité d'huile 0,75 x 1,0 x 0,125
48	741-0662	Flange Bearing .75 ID x 1.00 OD x .50	Roulement 0,75 DI x 1,00 DE x 0,50
49	710-0642	Thd Forming Scr. 1/4-20 x .75	Vis taraudée 1/4-20 x 0,75
50		See chart on page 30.	Voir tableau de la page 30.
51	714-0161	Hi Pro Key 3/16 x 5/8	Clé 3/16 x 5/8
52	715-04021	Dowel Pin .25 OD x 1.2	Goupille 0,25 x 1,2
53	717-04126	Worm Shaft .75 OD	Arbre 0,75 DE
54		See chart on page 30.	Voir tableau de la page 30.
55	718-04071	Thrust Collar	Collet
56	721-0325	Plug, 1/4 x .437	Bouchon 1/4 x 0,437
57	721-0327	Oil Seal .75 x 1 x .131	Joint d'huile 0,75 DI x 1 x 0,131
58	736-0351	Flat Washer .76 ID x 1.5 OD x .03	Rondelle plate 0,76 DI x 1,5 DE x 0,03
59	736-3084	Fl. Washer .510 x 1.120 x .060	Rondelle frein 0,510 x 1,120 x 0,060
60	741-0663	Flange Bearing .75 ID x 1.0 OD x .925	Roulement 0,75 DI x 1,0 DE x 0,925
61	736-0242	Cupped Washer .345 ID x .88 OD x .060	Rondelle creuse 0,345 DI x 0,88 DE x 0,060
62	721-0328	Loctite Sealant 5699	Loctite
63	737-0168	Grease - Alvania EP Lead Free	Graisneur
64	731-05984	Reversible Slide Shoe (plastic)	Patin réversible (plastique)
65	710-0451	Carriage Bolt 5/16-18 x .75 (w/steel slide shoes)	Boulon ordinaire 5/16-18 x 0,75 (avec sabot coulissant acier)
	710-0276	Carriage Bolt 5/16-18 x 1.0 (w/plastic slide shoes)	Boulon ordinaire 5/16-18 x 1,0 (avec sabot coulissant acier)

31A-6002
6.21.07

Styles H, K, L, P & Q

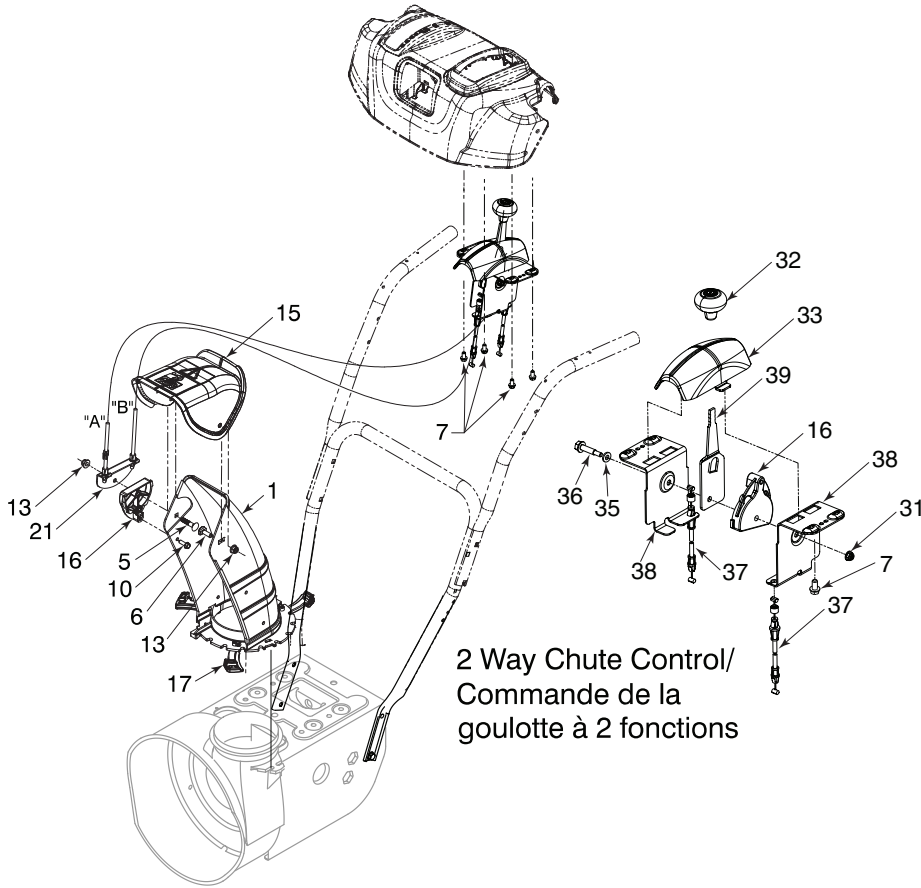
* With heated grips only/Avec poignées chauffées seulement.

Model Number/
Numéro de modèle
31AE6GKF500
↑
Style

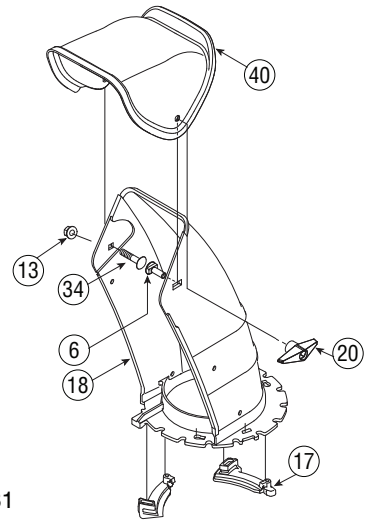


REF NO. N° DE RÉF	PART NO. N° DE PIÈCE	DESCRIPTION	DESCRIPTION
1	631-04180	Handle Panel Ass'y - Yellow	Panneau - jaune
1	631-04185	Handle Panel Ass'y - Black	Panneau - noir
1	631-04183	Handle Panel Ass'y-Black w/Chute Control	Panneau - noir avec comm. de la goulotte
2	631-04133A	LH Clutch Lock Handle Ass'y	Poignée d'embrayage CG
3	631-04134B	RH Clutch Lock Handle Ass'y	Poignée d'embrayage CD
4	684-04105B	Engagement Handle Assembly LH	Poignée d'entraînement CG
5	684-04106B	Engagement Handle Assembly RH	Poignée d'entraînement CD
6	710-04326	Screw #8-16 x .50	Vis n°. 8-16 x 0,50
7	710-04354	Screw 1/4-20 x .375	Vis 1/4-20 x 0,375
8	710-0837	Oval HD C-Sunk Scr #10 x 5/8	Vis à tête goutte de suif n°. 10 x 5/8
9	710-04586	Hex TT-Tap Scr 1/4-20 x 1.625	Vis taraudée 1/4-20 x 1,625
10	710-1233	Oval C-Sunk Hd Screw 10-24 x 1.375	Vis 10-24 x 1,375
11	684-04250	Pivot Rod	Tige de pivot
14	712-04064	Hex L-Flanged Nut 1/4-20 Gr. F Nylon	Contre-écrou à embase 1/4-20 Qual. F nylon
15	712-04081A	Hex Shoulder Nut 1/4-20	Écrou 1/4-20
16	714-0104	Int. Cotter Pin .072 x 1.13" Lg.	Goupille fendue int. 0,072 x 1,13 po de lg.
18	720-0274	Grip	Poignée
19	720-04039	Shift Knob	Bouton
	720-04045	Shift Knob - Yellow	Bouton - jaune
20	725-04213	Lamp #1295 (w/heated grips)	Ampoule n°. 1295 (avec poignées chauffées)
	725-1629	Lamp	Ampoule
21	625-04039	Wire Harness	Faisceau de fil
22	725-04216A	Heated Grip Wire Harness	Faisceau de fil - poignée chauffée
23	725-1649	Socket	Douille
24	725-04393	Switch	Contracteur
25	725-1757	Heated Grip	Poignée chauffée
26	726-0470	Cable Tie 19 x 8.39" (w/plug)	Attache-câble 19 x 8,39 po
	725-0157	Cable Tie (w/heated grips)	Attache-câble (avec poignée chauffée)
27	731-04894C	Lock Plate	Palastre de serrure
28	731-04896B	Clutch Lock Cam	Came
29	732-0193	Compression Spring .38 ID x .88 Lg	Ressort de compression 0,38 DI x 0,88 po de lg.
30	732-04219A	Spring: Clutch Lock	Ressort: Verrou d'embrayage
31	732-04238	Torsion Spring .8156 x .3038	Ressort de torsion 0,8156 x 0,3038
32	735-0199A	Rubber Bumper	Pare - chocs en caoutchouc
34	736-0267	Flat Washer .38 ID x .87 OD x .09	Rondelle plate 0,38 DI x 0,87 DE x 0,09
35	738-04122	Shoulder Screw 1/4-20 x 1.345	Vis à épaulement 1/4-20 x 1,345
36	738-04125	Shoulder Screw .374 Dia. x 1.05 Lg.	Vis à épaulement 0,374 dia. x 1,05 po de lg.
38	746-04396	Selector Speed Cable	Câble
40	790-00311	Shift Lever	Levier de changement de la vitesse
41	790-00248A	Panel Support	Support de panneau de bord
43	710-0449	Carriage Bolt 5/16-18 x 2.25	Boulon ordinaire 5/16-18 x 2,25
44	747-04263	Chute Crank Eye Bolt Special	Boulon à oeil spécial
45	720-0201A	Knob 1.0 x 3.2	Bouton 1,0 x 3,20
46	726-0100	Push Nut 3/8" Rod	Écrou pour tige de 3/8 po
47	735-0234	Grommet	Grummet
48	684-04104	Chute Crank Assembly	Manivelle de la goulotte
49	736-0185	Flat Washer .406" I.D. x .75" O.D.	Rondelle plate 0,406 DI x 0,75 DE
50	631-04181	Handle Panel Ass'y - Troy-Bilt	Panneau - Troy-Bilt
51	749-04142A	Upper Handle LH	Goulotte supérieur CG
51	749-04191A	Upper Handle LH (Heated Grips)	Guidon supérieur CG (poignée chauffée)
52	749-04141A	Upper Handle RH	Guidon supérieur CD
52	749-04190A	Upper Handle RH (Heated Grips)	Guidon supérieur CD (poignée chauffée)
53	720-0284	Handle Knob Assembly	Bouton
55	710-04484	Hex TT Screw 3/8-16 x .75	Vis taraudée 3/8-16 x 0,75
56	749-04138A	Lower Handle	Guidon inférieur
57	716-04036	E Ring	Bague en «E»
59	731-04913	Steering Control	Commande d'orientation
60	738-04126	Pin 3/16	Goupille 3/16

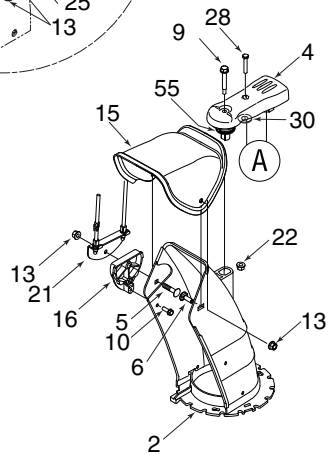
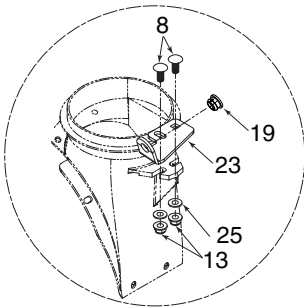
31A-6006
6.22.07



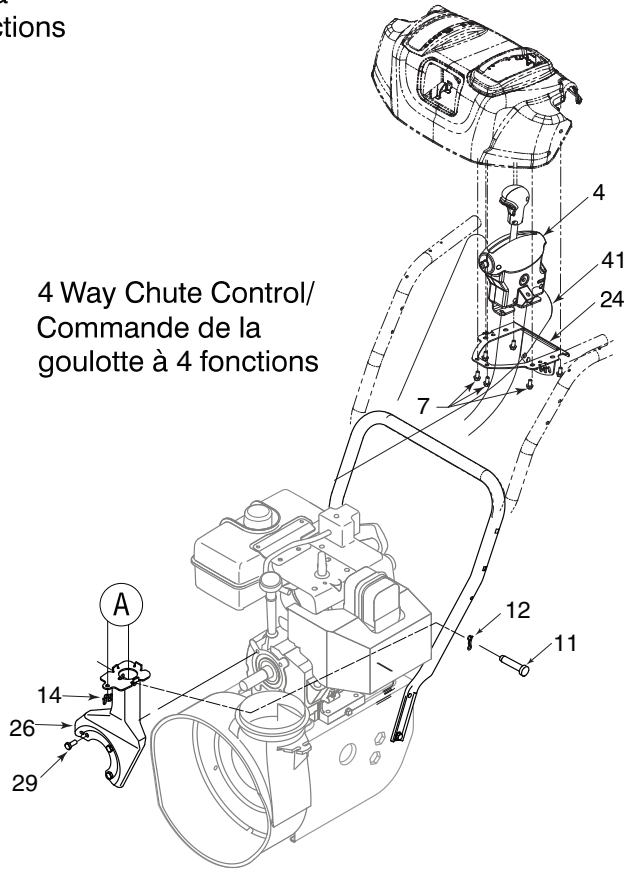
2 Way Chute Control/
Commande de la
goulotte à 2 fonctions



Manual Chute Control/
Commande de la goulotte
manuelle



4 Way Chute Control/
Commande de la
goulotte à 4 fonctions



REF NO. N° DE RÉF	PART NO. N° DE PIÈCE	DESCRIPTION	DESCRIPTION
1	631-04131B	Lower Chute (2 Way)	Goulotte inférieur (2 fonctions)
2	731-04861B	Lower Chute (4 Way)	Goulotte inférieur (4 fonctions)
3	684-04117A	2 Way Chute Control Assembly	Ens. - commande de la goulotte à 2 fonctions
4	684-04116B	4 Way Chute Control Assembly	Ens. - commande de la goulotte à 4 fonctions
5	710-0262	Carriage Bolt 5/16-18 x 1.50 Gr. 2	Boulon ordinaire 5/16-18 x 1,50 Qual. 2
6	710-04071	Carriage Screw 5/16-18 x 1.0	Vis ordinaire 5/16-18 x 1,0
7	710-04187	Hi-Lo Screw 1/4-15 x .5	Vis 1/4-15 x 0,5
8	710-0276	Carriage Bolt 5/16-18 x 1.00" Lg	Boulon ordinaire de 5/16-18 x 1,00 po de lg
9	738-04194	Shoulder Screw .312 x 1.7:1/4-20	Vis épaulement 0,312 x 1,7:1/4-20
10	710-0895	Hex Tapp Scr 1/4 x .75" Lg.	Vis taraudée à tête hex. de 1/4 x 0,75 po de lg
11	711-04469A	Clevis Pin 3/8 x 1.87	Axe de chape 3/8 x 1,87
12	714-04040	Bow Tie Cotter Pin	Goupille fendue
13	712-04063	Flange Locknut 5/16-18 Gr. F Nylon	Contre-écrou à embase 5/16-18 Qual. F nylon
14	712-3087	Wing Nut 1/4-20	Écrou en oreilles 1/4-20
15	731-04425B	Upper Chute w/Export Label, Remote	Goulotte sup., étiquette d'exp., comm. a distance
16	731-1313C	Cable Guide	Guide de la câble
17	731-04869	Chute Flange Keeper	Garde-bride de la goulotte
18	731-04912B	Lower Chute	Goulotte inférieur
19	741-0475	Plastic Bushing .380 ID	Manchon en plastique de 0,38 po de D.I.
20	720-0284	Handle Knob Assembly	Bouton
21	784-5594	Cable Bracket Chute Tilt	Support de câble
22	712-04064	Hex L-Flanged Nut 1/4-20 Gr. F Nylon	Contre-écrou à embase 1/4-20 Qual. F nylon
23	784-5647	Chute Crank Brkt.	Support du bras de goulotte d'éjection
24	790-00131	Bracket: Chute Control	Support: Commande de la goulotte
25	736-0159	Flat Washer .349 ID x .879 OD x .063	Rondelle plate 0,349 DI x 0,879 DE x 0,063
26	684-04162B	Support Bracket	Support
27	710-04187	Hi-Lo Screw 1/4-15 x .50	Vis 1/4-15 x 0,50
28	710-0606	Hex Hd. Cap Screw 1/4-20 x 1.5 Gr. 5	Vis à tête hex. 1/4-20 x 1,5 Qual. 5
29	710-0627	Hex Hd. Cap Screw 5/16-24 x .75	Vis à tête hex. 5/16-24 x 0,75
30	736-0463	Flat Washer .25 ID x .63 OD x .0515	Rondelle plate 0,25 DI x 0,63 x 0,0515
31	712-04064	Flange Locknut 1/4-20 Gr. F, Nylon	Contre-écrou à embase 1/4-20 Qual. F, nylon
32	720-04039	Knob	Bouton
33	731-05307	Control Cover - 2 Way	Couvercle (2 fonctions)
34	710-0451	Carriage Bolt 5/16-18 x .75	Boulon ordinaire 5/16-18 x 0,75
35	736-0413	Spring Washer .390 x .625 x .012	Rondelle ressort .390 x .625 x .012
36	738-04185	Flg Shlder Spacer .310 x .995 x 1/4-20	Entretoise epaulée 0,390 x 0,995 x 1/4-20
37	746-04238	Cable - 2 Way	Câble - 2 fonctions
38	790-00200	Mounting Bracket - 2 Way	Bracket - 2 fonctions
39	790-00210A	Lever - 2 Way	Levier - 2 fonctions
40	731-04354B	Upper Chute	Goulotte supérieur

31A-6004
9.26.07

Model Modèle	Wheel Assembly Ensemble de roue	Description Description	Tire Roue	Rim Jante	Axle Essieu
31AE6GLF590 31AE6GLF596 31AE6GLF597 31AH6KLG 31AH6NKG	634-04145 634-04146	16 x 4.8 x 8 LH X-Trac 16 x 4.8 x 8 RH X-Trac	734-2038 734-2038	634-04173 634-04173	738-04168
31AH5IQ4 31AH5MLH 31AH5NQ5	634-04136 634-04137	16 x 6.5 x 8 LH X-Trac 16 x 6.5 x 8 RH X-Trac	734-2031 734-2031	634-04174 634-04174	738-04180 738-04180
31AE5KLG	634-04141	16 x 4.8 Snow Hog	734-1530	634-04173	738-04180
31AE6MLG	634-04136 634-04137	16 x 6.5 x 8 LH X-Trac 16 x 6.5 x 8 RH X-Trac	734-2031 734-2031	634-04174 634-04174	738-04168 738-04168
31AS6ACE	634-04144A	13 x 4 Snow Hog	734-1732	634-04172A	738-04168
31AE6FFF 31AE6FHF 31AS6LCG 31AE6GKG 31AE6MFH 31AE6MKH 31AE6LHG	634-04141	16 x 4.8 Snow Hog	734-1530	634-04173	738-04168
31AS6FEE 31AS6FEF	634-04142A	15 X 5 Snow Hog	734-1859	634-04172A	738-04168
31AE6LHH	634-04135	16 X 6.5 Snow Hog	734-1525	634-04174	738-04168
31AE5LKH	634-04135	16 X 6.5 Snow Hog	734-1525	634-04174	738-04180
31AE63KE 31AH6DLE 31AH6DQ3 31AE6GLF501	634-04147A 634-04148A	15 X 5 X 6 LH X-Trac 15 X 5 X 6 RH X-Trac	734-04012	634-04172A 634-04172A	738-04168

8.21.07

AUGER HOUSING COMPONENTS/COMPOSANTS DU LOGEMENT DES TARIÈRES					
SIZE TAILLE	AUGER HOUSING/ LOGEMENT DES TARIÈRES	AUGER AXLE/ ESSIEU DES TARIÈRES	SHAVE PLATE LAME PLATE	GEARBOX ASS'Y/ ENSEMBLE DE LA VIS SANS FIN	SPACERS/ ENTRETOISE
26	684-04078	711-04284	790-00121	618-04172A	731-04870 (2)
28	684-04272	711-04283	790-00118	618-04173A	731-04870 (3)
30	684-04273	711-04282	790-00119	618-04165A	731-04871 (2)

GARANTIE SUPRÊME DE QUATRE ANS

MTD PRODUCTS LIMITED s'engage à réparer ou à remplacer gratuitement, à son choix, à l'acheteur initial, la ou les pièces qui s'avèrent défectueuses en raison d'un vice de matière ou de fabrication dans les quatre ans qui suivent la date d'achat au détail au Canada. Cette garantie s'applique seulement aux machines qui ont été utilisées et entretenues conformément aux instructions publiées dans la notice d'utilisation accompagnant la machine, qui n'ont pas fait l'objet d'un emploi incorrect ou abusif, de négligence, d'un entretien inadéquat ou de modification, qui n'ont pas été accidentées et qui n'ont pas été utilisées à des fins commerciales. Les pièces courantes font l'objet de conditions spéciales énumérées ci-dessous dans la clause «Garantie de quatre-vingt-dix jours au consommateur».

Le moteur, le moteur de démarrage ainsi que ses composants font l'objet d'une garantie séparée de leurs fabricants respectifs. Veuillez consulter les conditions de garantie du fabricant en ce qui concerne ces pièces.

«Garantie de quatre-vingt-dix jours au consommateur» des pièces courantes: Toutes les pièces courantes sont protégées pendant 90 jours. À l'expiration du délai de 90 jours, mais avant la fin de la période de garantie de deux quatre, les pièces courantes sont protégées si leur défaillance résulte du vice de matière ou de fabrication d'une autre pièce. Par pièces courantes, on entend les batteries, les courroies, les lames, les adaptateurs de lame, les sacs à herbe, les roues du plateau de coupe des tondeuses à siège, les sièges, les pneus et les pièces de l'embrayage (roues de

trottement).

Garantie complète de quatre-vingt-dix jours sur la batterie (le cas échéant): MTD s'engage à remplacer gratuitement à l'acheteur initial, pour une période de quatre-vingt-dix (90) jours à compter de la date d'achat au détail, toute batterie fournie avec cette machine qui s'avère défectueuse en raison d'un vice de matière ou de fabrication et après que nos tests aient confirmé qu'elle ne peut maintenir une charge.

Garantie limitée supplémentaire de trente jours sur la batterie (le cas échéant): MTD

s'engage, à l'expiration de la période de quatre-vingt-dix (90) jours et avant la fin d'une période de cent vingt (120) jours à compter de la date d'achat, à remplacer la batterie défectueuse à l'acheteur initial, pour la moitié (1/2) du prix de détail en vigueur de la batterie à la date du retour de celle-ci.

Utilisation personnelle: LES PARAGRAPHES PRÉCÉDENTS CONSTITUENT LA GARANTIE COMPLÈTE DU FABRICANT COUVRANT TOUTE MACHINE ACHETÉE ET UTILISÉE À DES FINS PERSONNELLES, FAMILIALES, DOMESTIQUES/RÉSIDENTIELLES ET NON COMMERCIALES.

Utilisation commerciale: TOUTES LES UTILISATIONS AUTRES QUE L'UTILISATION PERSONNELLE TELLE QUE DÉCRITE CI-DESSUS SONT CONSIDÉRÉES COMMERCIALES.

Les machines neuves achetées à des fins commerciales sont garanties de la même manière et dans les mêmes conditions, MAIS pour une durée de 90 jours à compter de la date d'achat.

Pour obtenir le service sous garantie: Tout concessionnaire-réparateur agréé par MTD est en mesure d'assurer tout service garantie sous présentation d'une preuve d'achat. Si vous ne connaissez pas le concessionnaire-réparateur de votre localité, adressez-vous au service après-vente, MTD PRODUCTS LIMITED, C. P. 1386, KITCHENER (ONTARIO) N2G 4J1. Une machine complète ne peut être retournée à l'usine que si elle est accompagnée d'une autorisation écrite préalable de MTD PRODUCTS LIMITED.

Autres garanties: Toutes les autres garanties, exprimées ou tacites, y compris les garanties


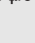
tacites de qualité marchande, se limitent à la durée stipulée dans la garantie limitée exprimée. Les conditions stipulées dans cette garantie représentent les seules obligations de MTD PRODUCTS LIMITED découlant de la vente de ses produits. MTD PRODUCTS LIMITED n'est pas responsable de toute perte ni de tout dommage indirect ou accidentel.

6


Garantie



Le non-respect des conseils d'entretien et de lubrification annule la garantie.

Problème	Cause(s)	Solution
Le moteur ne démarre pas	<ol style="list-style-type: none"> 1. Volet de départ n'est pas fermé. 2. Fil de la bougie débranché. 3. Réservoir vide ou essence éventée. 4. Bouton de l'amorceur n'étant pas employé correctement. 5. Bougie défectueuse. 6. Canalisations de carburant bouchées. 7. La clé de contact du moteur n'est pas mise. 8. Robinet d'arrivée de carburant fermé. 	<ol style="list-style-type: none"> 1. Sélectionner la position "volet de départ"  2. Branchez le fil de la bougie. 3. Faites le plein avec une essence propre et fraîche. 4. Consultez le chapitre "Utilisation de la Souffleuse". 5. Nettoyez, réglez l'écartement ou remplacez la bougie. 6. La nettoyer. 7. Mettez la clé.
Fonctionnement irrégulier	<ol style="list-style-type: none"> 1. Machine fonctionnant avec le volet de départ fermé. 2. Canalisations de carburant bouchées ou essence éventée. 3. Eau ou saleté dans le système d'essence. 4. Carburateur est mal réglé. 	<ol style="list-style-type: none"> 1. Enlever de la position "volet de départ"  2. Nettoyez la canalisation; faites le plein avec une essence propre. 3. Débranchez la canalisation d'essence au carburateur pour vider le réservoir d'essence. Faites le plein avec une essence fraîche. 4. Adressez-vous à une station
Moteur surchauffe	<ol style="list-style-type: none"> 1. Carburateur est mal réglé. 	<ol style="list-style-type: none"> 1. Adressez-vous à une station technique.
Vibration excessives	<ol style="list-style-type: none"> 1. Pièces desserrées ou vis sans fin endommagées. 	<ol style="list-style-type: none"> 1. Arrêtez immédiatement le moteur et débranchez le fil de la bougie. Serrez tous les boulons et écrous. Si les vibrations persistent, faites vérifier la machine par une station technique agréée.
Perte de puissance	<ol style="list-style-type: none"> 1. Fil de la bougie desserré. 2. Chapeau d'échappement du trou d'aération bouché. 3. Le port d'échappement est bouché. 	<ol style="list-style-type: none"> 1. Branchez et serrez le fil de la bougie. 2. Dégagez la glace et la neige du chapeau. Assurez-vous de la propreté du trou d'aération. 3. Adressez-vous à une station technique.
La souffleuse n'avance pas	<ol style="list-style-type: none"> 1. Câble d'entraînement mal réglé. 2. Courroie d'entraînement abîmée ou ayant du jeu. 	<ol style="list-style-type: none"> 1. Réglez le câble d'entraînement. Voir le Réglages. 2. Remplacez la courroie d'entraînement.
La souffleuse n'évacue pas la neige	<ol style="list-style-type: none"> 1. Goulotte d'évacuation bouchée. 2. Présence de corps étranger dans la tarière. 3. Câble d'entraînement de la tarière mal réglé. 4. Courroie d'entraînement de la tarière abîmée ou ayant du jeu. 5. Goupille de cisaillement est cassée. 	<ol style="list-style-type: none"> 1. Arrêtez immédiatement le moteur et débranchez le fil de la bougie. Nettoyez la goulotte d'évacuation et l'intérieur du logement de la tarière. 2. Arrêtez immédiatement le moteur et débranchez le fil de la bougie. Dégagez le corps étranger de la tarière avec l'outil de dégagement de la goulotte ou un bâton. 3. Voir Test de commande de la tarière. 4. Voir le Régime d'entretien. 5. Remplacez la goupille de cisaillement.

Dépannage



REMARQUE: Ce chapitre concerne des problèmes d'entretien mineurs. Pour plus de détails, adressez-vous au service après-vente.



- Procédez comme suit pour préparer la souffeuse avant de la remiser.
- Videz le carburant à l'extérieur dans un récipient homologué, à distance de toute flamme nue. As-surez-vous que le moteur a refroidi. Ne fumez pas et éteignez toute source de chaleur incandescente avant de vider le carburant. Tout carburant restant dans le réservoir par temps chaud se détériorera et causera de graves problèmes au démarrage.
 - Si la machine doit être entreposée pendant plus de 30 jours, préparez-la selon les instructions fournies dans la notice d'utilisation du moteur qui accompagne votre souffeuse.
 - Laissez tourner le moteur jusqu'à ce qu'il s'arrête pour cause de panne d'essence.
 - Videz toute l'essence du carburateur et du réservoir pour éviter la formation de dépôts de gomme qui pourraient causer le mauvais fonctionnement du moteur.
 - Videz le carburateur en appuyant sur l'évacuation qui se trouve sous le couvercle du carburateur.
 - Les agents de stabilisation du carburant (STA-BIL® par exemple) offrent une solution acceptable pour minimiser la formation de dépôts de gomme pendant le remisage. Ne videz pas le carburateur si vous décidez d'utiliser un agent de stabilisation du carburant.
 - Essayez la machine avec un chiffon imbibé d'huile pour empêcher la formation de rouille.
 - Retirez la bougie et versez une once d'huile à moteur dans le trou de la bougie de la chemise. Recouvrez le trou avec un chiffon et faites tourner le moteur plusieurs fois pour bien répartir l'huile. Remettez la bougie en place.
 - Suivez les instructions concernant la lubrification dans le chapitre sur l'entretien.
 - Entreposez toujours la souffeuse dans un endroit sec et propre.

AVERTISSEMENT



Remisage hors saison



N'entreposez jamais le moteur avec du carburant dans le réservoir à l'intérieur ou dans des endroits fermés si la ventilation n'est pas adéquate et si les vapeurs de carburant peuvent venir en contact avec une flamme ou une étincelle ou veillez à un chauffe-eau, un radiateur, un tourneau, un sèche-linge ou autre appareil à gaz.

Videz le carburant à l'extérieur dans un récipient homologué, à distance de toute flamme nue. Assurez-vous que le moteur a refroidi. Ne fumez pas. Tout carburant restant dans le réservoir par temps chaud se détériorera et causera de graves problèmes au démarrage.

Ne videz pas le carburateur si vous utilisez un stabilisateur de carburant. N'utilisez jamais des produits de nettoyage du moteur ou du carburateur pour nettoyer le réservoir de carburant car vous pouvez causer des dégâts permanents.

Inspection de la roue de frein

Si la souffreuse n'avance pas lorsque la commande est enclenchée et si l'ajustement du câble de commande ne parvient pas à corriger le problème, il faudra peut-être remplacer la roue de frein.

REMARQUE: Des outils spéciaux sont nécessaires et

certaines pièces doivent être démontées pour remplacer le caoutchouc de la roue de frein. Adressez-vous à une station technique agréée pour faire remplacer la roue de frein ou téléphonez au service après-vente (voir la page 2) pour commander une notice d'utilisation.

Pour inspecter la roue de frein, procédez comme suit:

1. Placez un morceau de plastique sous le bouchon d'essence et serrez bien.
2. Basculez doucement la souffreuse vers l'avant pour la faire reposer sur l'habillage de la tarière. Voir la Figure 6-5.
3. Démontez le couvre-châssis du dessous de la souffreuse en retirant les quatre vis auto-taraudées qui le maintiennent en place. Voir la Figure 6-5.
4. Examinez soigneusement la roue de frein pour détecter tout signe d'usure ou de fendillement. Voir la Figure 6-11.

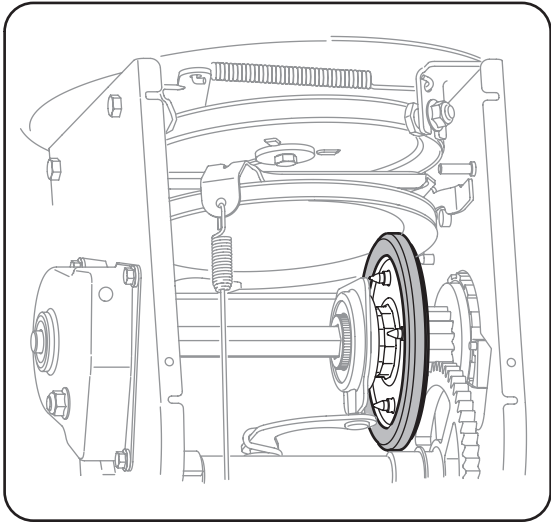


Figure 6-11

Pour remonter la roue de frein, donnez un seul tour de vis avant de faire tourner la roue dans le sens des aiguilles d'une montre, puis passez à la vis suivante. Répétez plusieurs fois pour que les plaques soient toutes serrées de manière égale.

Ne remplacez JAMAIS les boudins de cisaillement des tarières par des boudins hexagonaux ordinaires. Tout dégât aux tarières, ou à leurs autres pièces composantes, causé par l'utilisation de boudins ordinaires ne sera pas couvert par la garantie de la souffreuse.



Régime d'entretien

6

6

Régime d'entretien



Ne remplacez JAMAIS les boulons de cisaillement des tarières par des boulons hex. ordinaires. Tout dégât aux tarières, ou à leurs autres pièces composantes, causé par l'utilisation de boulons ordinaires ne sera pas couvert par la garantie de la souffeuse.

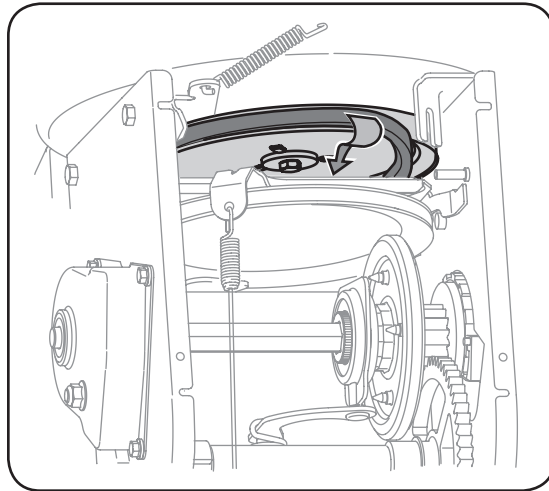


Figure 6-8

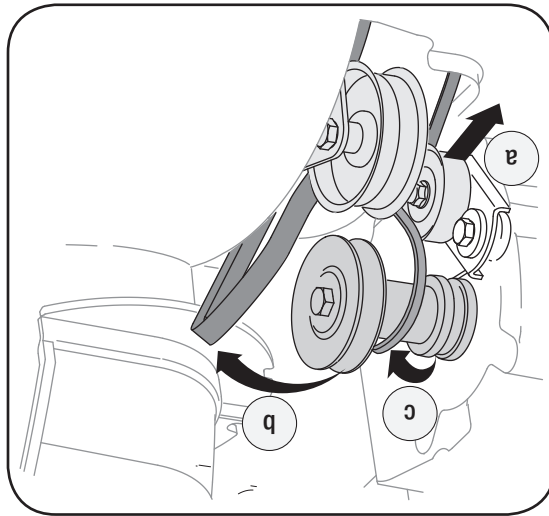


Figure 6-9

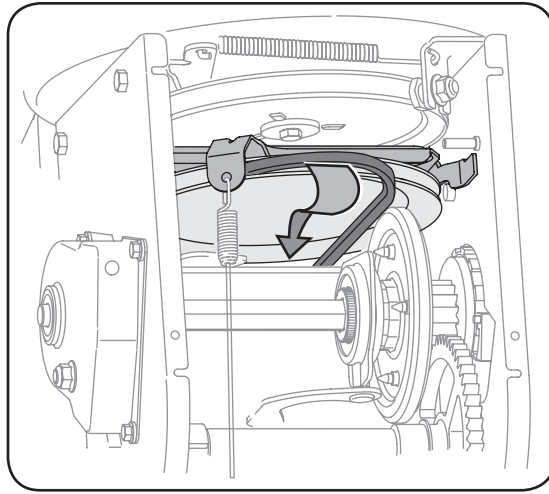


Figure 6-10

- ### Remplacement de la courroie de transmission
- Pour démonter et remplacer la courroie de transmission de la souffeuse, procédez comme suit :
1. Retirez le couvre-courroie en plastique sur le devant du moteur en enlevant les deux vis auto-taradeuses. Voir la Figure 6-9.
 2. Videz le réservoir d'essence de la souffeuse ou placez un morceau de plastique sous le bouchon d'essence.
 3. Basculez doucement la souffeuse vers l'avant pour la faire reposer sur l'habitacle de la tarière. Voir la Figure 6-10.
 4. Démontez le couvre-châssis du dessous de la souffeuse en retirant les quatre vis auto-taradeuses qui le maintiennent en place.
 5. Utilisez une clé pour pivoter la poulie de tension vers la droite. Voir la Figure 6-11.
 6. Dégagez la courroie de la tarière de la poulie motrice.
 7. Dégagez la courroie de transmission de la poulie motrice.
 8. Dégagez la courroie de transmission de la poulie et de l'espace entre la roue de frottement et le disque de la roue de frottement.
 9. Retirez la courroie et installez la courroie neuve en procédant dans l'ordre inverse.

Régime d'entretien

6



REMARQUE : Les huiles multigrades (5W30, 10W30, etc.) améliorent le démarrage par temps froid, mais la consommation d'huile est plus importante si elles sont utilisées à une température supérieure à 32°F. Vérifiez le niveau d'huile plus souvent pour éviter d'endommager le moteur en cas d'insuffisance d'huile.

REMARQUE : Ne nettoyez pas la bougie au jet de sable. Utilisez une brosse métallique et un solvant commercial.

IMPORTANT

Ne remplacez jamais les boulons de cisaillement avec des boulons ordinaires. Aucun dommage à l'ensemble de la vis sans fin ou à d'autres composants par utiliser des boulons ordinaires ne sera couvert par la garantie de votre souffluse.

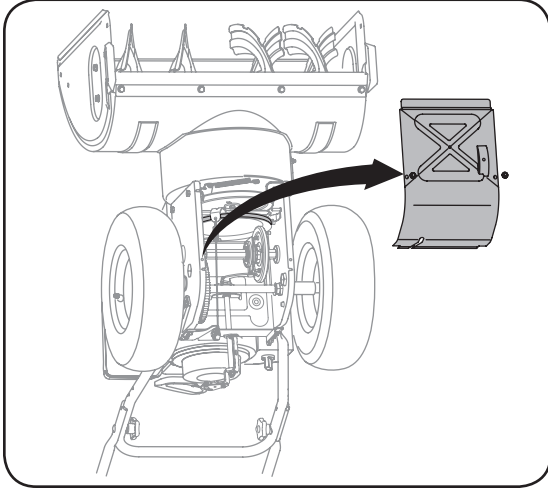


Figure 6-3

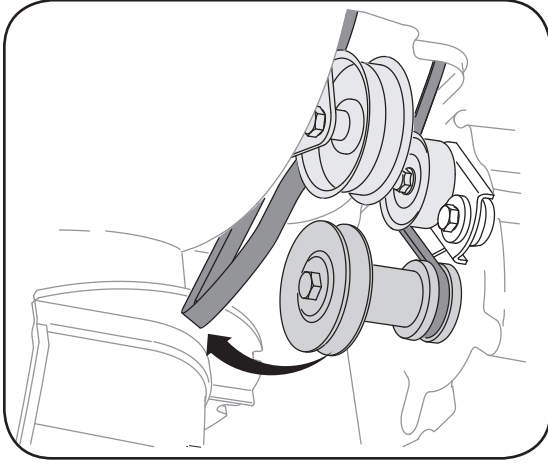


Figure 6-5

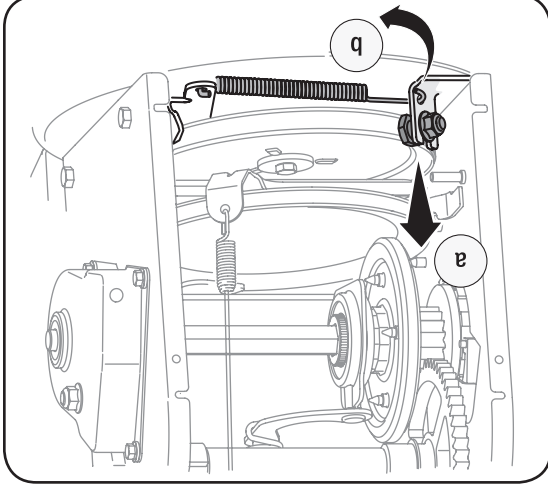


Figure 6-7

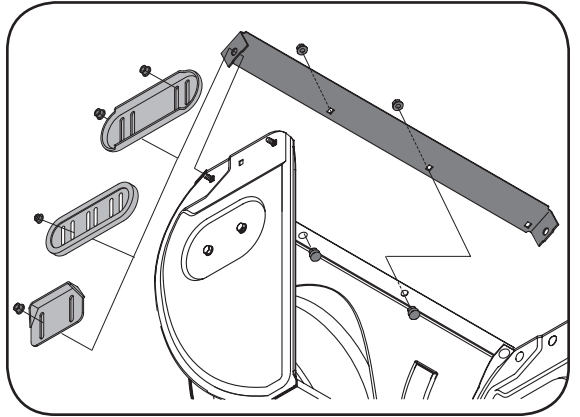
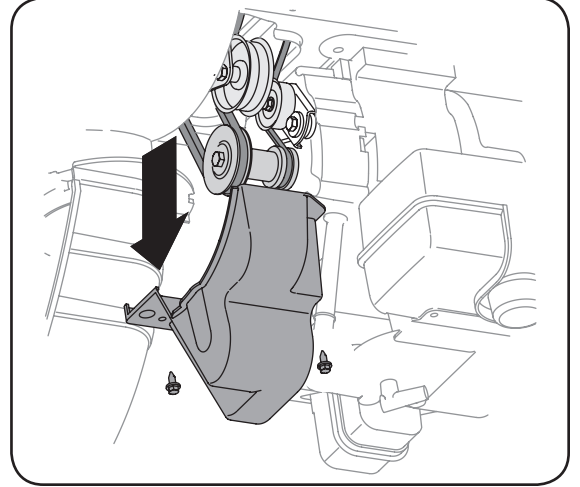


Figure 6-4



- REMARQUE :** Videz le réservoir d'essence de la souffluse ou placez un morceau de plastique sous le bouchon d'essence.
2. Basculez doucement la souffluse vers l'avant pour la faire reposer sur l'habillage de la tarière. Démontez le couvre-châssis du dessous de la souffluse en retirant les quatre vis auto-taraudeuses qui le maintiennent en place. Voir la Figure 6-5.
 3. Dégagez la courroie de la tarière de la poulie motrice. Voir la Figure 6-6.
 4. Desserrez et retirez la vis à épaulement qui sert de guide-courroie. Voir la Figure 6-7.
 5. Débranchez le ressort du support du châssis. Dégagez la courroie de la poulie de la tarière et faites glisser la courroie en le support et la poulie de la tarière. Remontez la courroie de la tarière en procédant dans l'ordre inverse. Voir la Figure 6-8.
- REMARQUE :** N'oubliez PAS de réinstaller la vis à épaulement et de raccrocher le ressort sur le châssis après avoir installé la courroie de la tarière neuve, et d'enlever le morceau de plastique sous le bouchon d'essence.



AVERTISSEMENT

Débrayez toutes les commandes et arrêtez le moteur avant de lubrifier, de réparer ou d'inspecter la souffluse. Attendez que toutes les pièces se soient immobilisées.



Évitez de répandre de la graisse ou de l'huile sur la roue de frottement en caoutchouc et sur la plaque d'entraînement en aluminium.

Moteur

Consultez la notice d'utilisation du moteur fournie avec la souffluse quant aux instructions d'entretien du moteur.

Lubrification**Moteur**

Consultez la notice d'utilisation du moteur, fournie avec la souffluse.

Arbre de transmission

Lubrifiez l'arbre de transmission (hex.) au moins une fois par saison ou toutes les 25 heures d'utilisation. Basculez doucement la souffluse vers l'avant pour la faire reposer sur l'habitacle de la tarière.

2. Enlevez le couvre-châssis en enlevant les deux vis

auto-taraudeuses qui le maintient.

3. Appliquez une légère couche d'huile polyvalente toutes saisons sur l'arbre hex. Voir la Figure 6-1.

REMARQUE: Évitez de renverser de l'huile sur la

roue de frottement en caoutchouc ou sur la plaque d'entraînement en aluminium.

Roues

Huilez ou vaporisez du lubrifiant sur les roulements des roues au moins une fois par saison. Démontez les roues, nettoyez et enduisez les essieux d'une graisse automobile à usages multiples.

Commande de direction de la goulotte

Le levier de commande doit être lubrifié avec de la vaseline, de l'huile de lin, de l'huile minérale, de la paraffine ou de l'huile «3 in 1» une fois par saison.

Arbre de la tarière

Enlevez les goupilles de cisaillement sur l'arbre de la tarière, au moins une fois par saison. Vaporisez un lubrifiant à l'intérieur de l'arbre et autour des entretoises. Lubrifiez aussi les roulements à bride trouvés à chaque extrémité de l'arbre de la tarière. Voir la Figure 6-2.

Tarières

- Deux goupilles de cisaillement et deux goupille fendue maintiennent les tarières sur l'arbre de la tarière. Les goupilles sont sensés de peut être cisailier si la souffluse heurte un objet ou un bloc de glace. Voir la Figure 6-2.
- Si les tarières ne tournent pas, vérifiez si les goupilles se sont cisailées. Remplacez les goupilles si besoin est. Deux goupilles de cisaillement et deux goupille fendues de rechange sont fournis. Vaporisez un lubrifiant à base d'huile sur l'arbre avant d'installer les goupilles neuves.

Lame plate et patins

La lame plate et les patins sont installés sous la souffluse et ils risquent de s'user. Vérifiez-les régulièrement. Pour retirer les patins:

1. Retirez le couvre-courroie en plastique sur le devant du moteur en enlevant les deux vis auto-taraudeuses. Voir la Figure 6-4.

Pour démonter et remplacer la courroie de la tarière de la souffluse, procédez comme suit :

Remplacemement de la tarière

1. Enlevez les quatre boulons ordinaires et les contre-écrous à embase qui les maintiennent sur la souffluse.
 2. Remontez les nouveaux patins avec les boulons ordinaires (deux sur chaque côté) et les contre-écrous à embase. Voir la Figure 6-3.
- Pour démonter la lame plate:
1. Enlevez les boulons ordinaires et le contre-écrou à embase qui la maintiennent ainsi que les patins sur la souffluse.
 2. Installez la lame plate neuve en vérifiant que la tête des boulons ordinaires se trouve à l'intérieur de l'habitacle. Serrez à fond.

Remplacemement de la courroie de la tarière

Figure 6-2

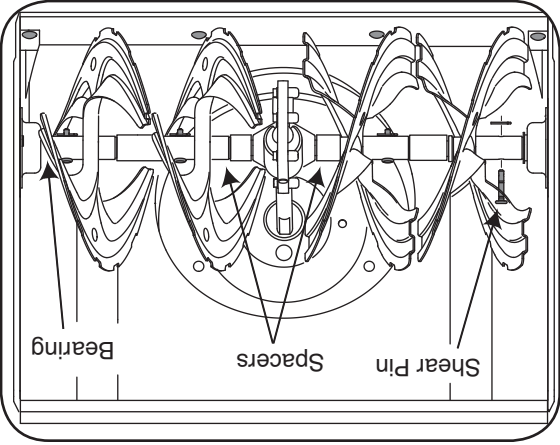
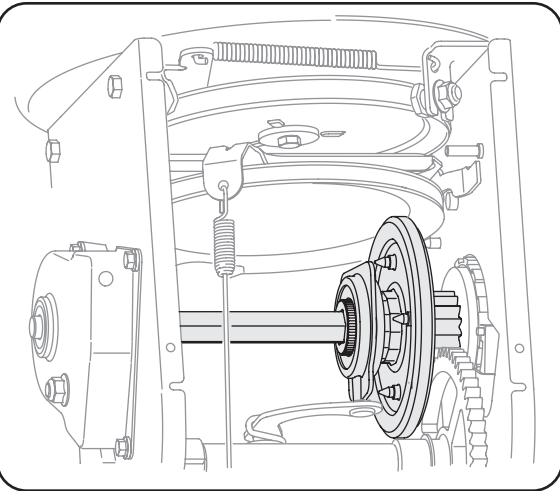


Figure 6-1



Pour pouvez aussi vérifier l'ajustement de la façon suivante:

1. Basculez la souffluse vers l'avant (après avoir vidé le réservoir d'essence ou avoir placé un morceau de plastique sous le bouchon d'essence si la souffluse a déjà été utilisée.), puis démontez le couvre-châssis du dessous de la souffluse en retirant les vis auto-taranduses. Voir la Figure 6-5 à la page 17.
 2. Lâchez la commande de transmission et vérifiez qu'il y a un espace de 1/8 de po entre la roue de frottement et la poulie de transmission, quelle que soit la position du levier de vitesses.
 3. Embrayez la commande et assurez-vous que la roue de frottement est en contact avec la poulie motrice. Voir la Figure 6-8.
 4. Si un réglage est nécessaire, desserrez l'écrou à six pans inférieur sur le support indexé du câble de transmission et relevez (ou abaissez) le support selon le besoin. Voir la Figure 5-3. Serrez l'écrou à six pans inférieur pour maintenir le support à la position correcte.
 5. Remplacez le couvre-châssis et redressez la souffluse à la position de fonctionnement.
- REMARQUE :** N'oubliez pas de retirer le morceau de plastique qui se trouve sous le bouchon d'essence, le cas échéant.
- Patins**
- L'espace entre la lame plate et le sol peut être ajusté en ajustant les patins. Pour déblayer complètement la neige, placez les patins à la position plus haute sur l'habitacle. Utilisez les positions intermédiaire ou basse lorsque la surface à déblayer est irrégulière.
1. Ajustez les patins en desserrant les quatre contre-écrous à embase (deux de chaque côté) et les boulons ordinaires. Placez les patins à la position voulue. Voir les Figures 5-4 ou 5-5.
 2. Vérifiez que toute la surface inférieure des patins est de niveau et en contact avec le sol pour éviter leur usure inégale.
 3. Serrez les boulons et les écrous à fond.
- REMARQUE :** Certains modèles sont équipés de patins ultra-robustes qui peuvent être retournés pour accroître leur durée de vie. Si les patins sont retournés, ils doivent aussi être intervertis. Le "A" sur la pièce doit être orienté vers l'avant de la souffluse. Voir la Figure 5-5.
- Reportez-vous au test de la commande de la tarière, page 13, pour ajuster la tarière.

Commande de la tarière

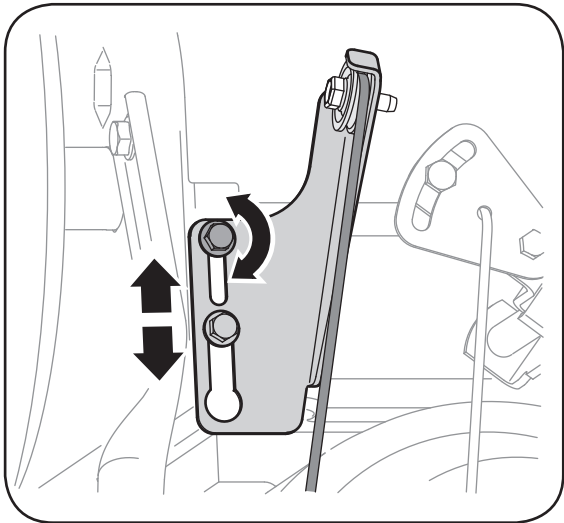


Figure 5-3

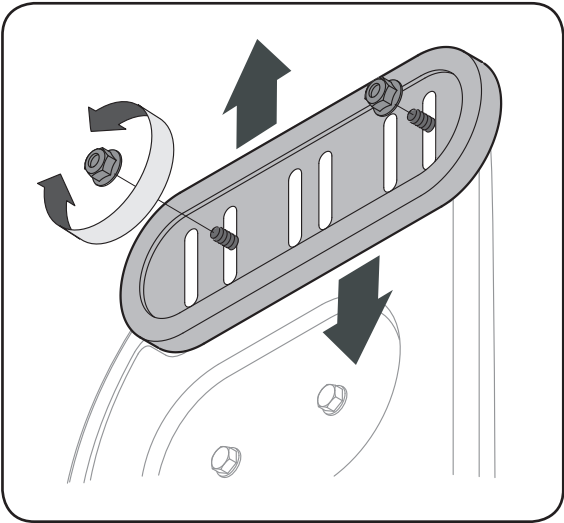


Figure 5-4 - Patins réversible en plastique

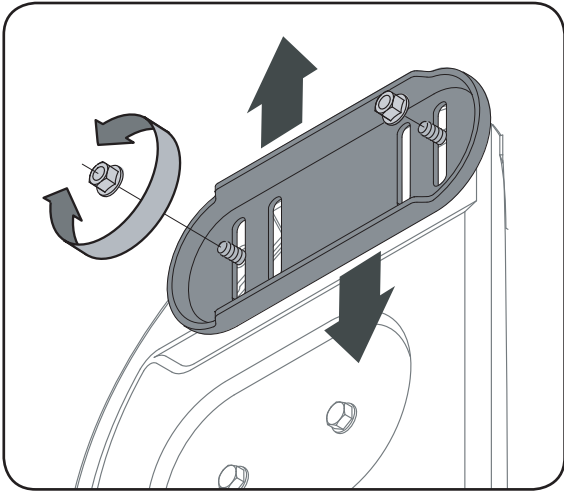


Figure 5-5 - Patins réversible en acier

AVERTISSEMENT



Réglages

5

Il est déconseillé d'utiliser la souffluse sur une surface recouverte de gravier qui, s'il est projeté par la tarière, peut causer des blessures corporelles et des dégâts matériels.

Si pour une raison quelconque, vous devez utiliser la souffluse sur une surface recouverte de gravier, réglez les patins à la position la plus haute pour assurer un dégagement maximal entre le sol et la lame plate.

5

Réglages



AVERTISSEMENT

Lisez, comprenez, et suivez toutes les instructions et les consignes sur la machine et dans ce notice avant le fonctionnement.

N'essayez jamais d'effectuer un réglage quelconque pendant que le moteur tourne, sauf en cas d'instructions spéciales dans la notice d'utilisation.

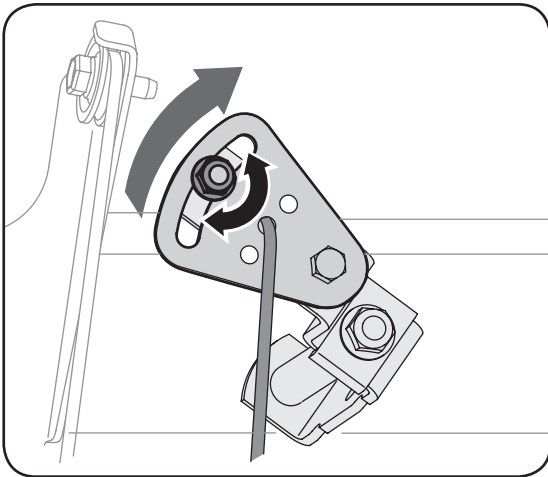


Figure 5-1

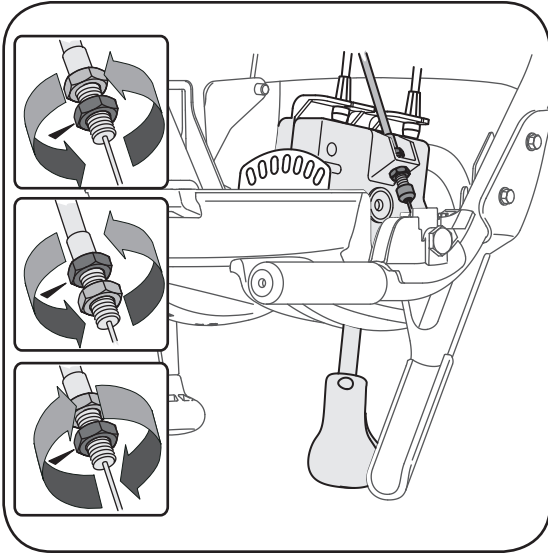


Figure 5-2

Câble de changement de vitesses

1. Si vous ne pouvez utiliser toute la gamme des vitesses (avant et arrière), consultez les illustrations sur la droite et effectuez les réglages suivants :
1. Placez le levier de vitesses à la position de la marche avant la plus **rapide**.
2. Desserrez l'écrou à six pans sur le support indexé du câble de changement de vitesses. Voir la Figure 5-1.
3. Abaissez le support vers le bas pour éliminer tout jeu dans le câble.
4. Resserrez l'écrou à six pans.
5. Vérifiez les réglages avant d'utiliser la souffeuse.

Commande de la goulotte

- Vérifiez que les câbles ne se sont pas détendus une fois par saison ou toutes les 25 heures de fonctionnement, selon ce qui survient d'abord. Si la goulotte ne tourne pas complètement ou s'il n'est pas possible d'ajuster son inclinaison, il faudra ajuster les quatre câbles de commande de la goulotte.
1. Pour faire l'ajustement, procédez comme suit : Pour serrer le câble, desserrez l'écrou supérieur et serrez l'écrou inférieur sur le câble.
 2. Ajustez également des deux côtés en réglant les deux câbles de chaque pair. Voir la Figure 5-2.

Commande de la transmission et levier de vitesses

- Le câble doit présenter très peu de jeu quand la commande de la transmission est débrayée et en position «relevée». Le câble ne doit PAS être tendu.
- Vérifiez l'ajustement de la commande de la transmission comme suit :
1. La commande de transmission débrayée, poussez la souffeuse, puis tirez-la. La machine doit bouger facilement.
 2. Embrayez la commande de traction et essayez de déplacer la souffeuse vers l'avant. Vous devez sentir une résistance. Les roues ne doivent pas tourner. La machine doit PAS bouger facilement.
 3. Débrayez la commande de la transmission, déplacez plusieurs fois le levier de vitesses d'avant en arrière entre les positions R2 et F6. Vous ne devez sentir aucune résistance dans le levier de vitesses.
 4. Si l'un des tests ci-dessus échoue, ajustez le câble de la transmission. Continuez comme suit :
 5. Desserrez le contre-écrou à six pans inférieur sur le support du câble de la transmission. Voir la Figure 5-3.
 6. Redressez le support vers le haut pour obtenir plus de jeu (ou vers le bas pour augmenter la tension du câble.)
 7. Resserrez le contre-écrou à six pans inférieur.

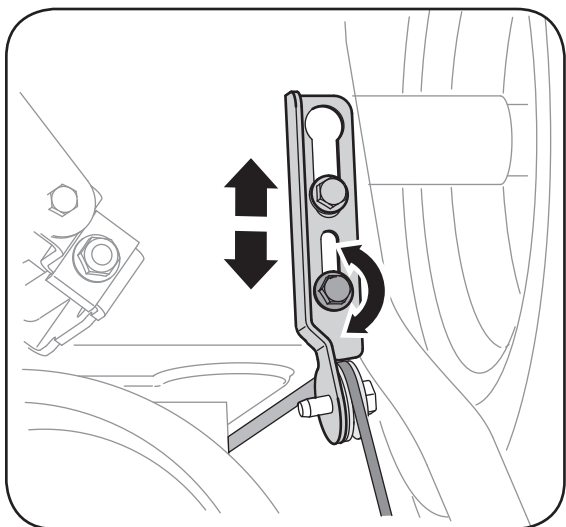


Figure 4-2

Test de la commande de la tarrière
Faites ce test avant d'utiliser la souffluse pour la première fois et au début de chaque saison d'hiver. Vérifiez le réglage de cette commande de la façon suivante :

1. Débrayez la commande et placez-la en position «relevée». Le câble doit présenter très peu de jeu SANS toutefois être tendu.
2. Choisissez un endroit bien aéré et faites démarrer la souffluse selon les instructions dans le paragraphe «pour faire démarrer le moteur». Vérifiez que l'obturateur est réglé à la position rapide.
3. Tenez-vous à la position de conduite (derrière la souffluse) et enclenchez la tarrière.
4. Attendez environ dix secondes avant de débrayer la tarrière. Répétez cette opération plusieurs fois.
5. Laissez tourner le moteur à plein régime et gardez la manette de commande de la tarrière à la position débrayée et « relevée ». Placez-vous devant la machine.
6. Vérifiez que la tarrière est totalement immobilisée et qu'aucune pièce ne bouge. Si la tarrière n'est pas complètement immobile, retournez immédiatement à la position de conduite et arrêtez le moteur. Attendez d'ajuster à nouveau le câble de la tarrière.
7. Pour ajuster à nouveau le câble de commande, desserrez le contre-écrou à six pans supérieur du support de la commande de la tarrière.
8. Redressez le support vers le haut pour obtenir plus de jeu (ou vers le bas pour augmenter la tension). See Figure 4-2.
9. Resserrez ensuite le contre-écrou à six pans supérieur.
10. Répétez le test pour vérifier l'ajustement de la commande de la tarrière.

6. Enlevez toute la neige et l'humidité du couvercle du carburateur et près des manettes de commande. Déplacez celle-ci plusieurs fois.

Démarréur à lanceur
1. Quand le moteur tourne, tirez rapidement et fermement sur la corde du démarréur à trois ou quatre reprises. Vous entendrez un cliquettement qui ne risque pas d'endommager le moteur.

2. Placez la manette de l'obturateur à la position STOP. Retirez la clé de contact (sans tourner la clé) pour empêcher l'utilisation non autorisée de l'équipement.

REMARQUE: Rangez la clé dans un endroit sûr. Il n'est pas possible de faire démarrer le moteur sans la clé. Enlevez toute la neige et l'humidité du couvercle du carburateur et près des manettes de commande. Déplacez celle-ci plusieurs fois.

Pour embrayer la transmission

1. Avec l'obturateur à la position Fast (l'apin), placez le levier de changement de vitesse à l'une des six positions de marche avant (F) ou à l'une des deux positions de marche arrière (R). Choisissez la vitesse adaptée aux conditions présentes.

2. Pressez la commande de la transmission contre le guidon droit pour avancer la souffluse; lâchez-la pour arrêter.

3. Pour tourner à droite ou à gauche, pressez la commande de direction des roues correspondante. Voir la Figure 4-1.

Pour embrayer les tarrières

1. Pour embrayer les tarrières et pour commencer à projeter la neige, pressez la poignée d'embrayage gauche de la tarrière contre le guidon gauche. Lâchez la poignée pour arrêter les tarrières.

2. Alors que la commande de la tarrière est embrayée, pressez la commande de la transmission pour avancer. Lâchez-la pour arrêter. Ne changez pas de vitesse quand la commande de la transmission est embrayée.

REMARQUE: Cette même poignée permet de bloquer la commande de la tarrière pour permettre au conducteur de projeter la neige.

3. Débrayez la commande de la tarrière ; le mécanisme de blocage maintient la tarrière engagée jusqu'à ce que la commande de la transmission soit débrayée.

4. Lâchez la commande de la transmission pour arrêter la tarrière et les roues. Pour arrêter la tarrière les deux poignées doivent être débrayées.



Utilisation de la souffluse



AVERTISSEMENT

La température du silencieux et des zones voisines peut dépasser 150°F (65°C). Évitez de les toucher.

Ne dégagez jamais la neige ou la glace près de la tarrière ou dans la goulotte à la main.



Utilisez une vitesse lente jusqu'à ce que vous soyez habitué.

Ne déplacez JAMAIS le levier de vitesses (pour changer de vitesse ou de sens de déplacement) sans

avoir au préalable débrayé la commande de la transmission et avoir complètement arrêté la souffluse. Ceci pourrait causer l'usure prématurée de la transmission de la souffluse.

- position SANS VOLET. Si le moteur hésite, tournez à nouveau le bouton du volet de départ à la position VOLET PLEIN, puis revenez lentement à la position SANS VOLET.
1. Débranchez d'abord le fil électrique de la prise de courant avant de débrancher l'autre extrémité de la souffluse. **NOTE:** If the engine is already warm, place choke control in the OFF position instead of FULL.
 2. Appuyez deux ou trois fois sur le bouton de l'amorçeur pour le démarrage à froid. Couvrez toujours l'évent du bouton de l'amorçeur en appuyant.
- REMARQUE:** N'AMORCEZ PAS un moteur chaud après un arrêt bref.
- REMARQUE:** Un amorçage supplémentaire peut être nécessaire si la température est inférieure à 15°F (-9°C).
3. Tirez lentement sur la poignée du démarreur à l'aide d'un tournevis jusqu'à ce que vous sentiez une légère résistance. Laissez la corde s'enrouler lentement.
 4. Tirez à nouveau, mais rapidement. Ne laissez pas la poignée revenir brusquement contre le moteur, mais laissez-la s'enrouler lentement tout en le retenant.
 5. Au fur et à mesure que le moteur chauffe, tournez lentement le bouton du volet de départ vers la position SANS VOLET. Si le moteur hésite, tournez à nouveau le bouton du volet de départ à la position SANS VOLET PLEIN, puis revenez lentement à la position SANS VOLET.
- ### Arrêt du moteur
- Laissez tourner le moteur pendant quelques minutes pour sécher toute l'humidité qui aurait pu s'y accumuler.
- Pour empêcher le démarreur de geler, procédez comme suit avant d'arrêter le moteur:
- ### Démarreur électrique (sur certains modèles)
1. Branchez le fil électrique dans le démarreur électrique, sur le moteur. Branchez l'autre extrémité du fil dans une prise de courant de 120 volts C.A.
 2. Quand le moteur tourne, appuyez sur le bouton du démarreur et faites tourner le démarreur pendant quelques secondes. Le bruit particulier émis par le démarreur ne risque pas d'endommager le démarreur du moteur.
 3. Débranchez d'abord le fil électrique de la prise de courant avant de débrancher l'autre extrémité de la souffluse.
 4. Placez la manette de l'obturateur à la position STOP.
 5. Retirez la clé de contact (sans tourner la clé) pour empêcher l'utilisation non autorisée de l'équipement.

- ### Pleins d'essence et d'huile
- Vérifiez le niveau d'huile et d'essence et ajoutez au besoin. Suivez les instructions fournies dans la notice d'utilisation du moteur qui accompagne la souffluse. Veuillez lire ces instructions attentivement.
- ### Pour faire démarrer le moteur
1. Branchez le fil de la bougie sur cette dernière. Vérifiez que la boucle métallique, au bout du fil de la bougie (dans la gaine en caoutchouc), est bien attachée à l'embout métallique de la bougie.
 2. Assurez-vous que les commandes de la tarière et de l'entraînement sont débrayées (relâchées).
 3. Placez la manette de l'obturateur à la position RAPIDE. Enfoncez la clé dans la fente. Assurez-vous qu'elle se met bien en position. Ne tournez pas la clé.
- REMARQUE:** Le moteur ne peut pas démarrer à moins que la clé soit insérée dans le commutateur d'allumage.
- ### Démarreur électrique (sur certains modèles)
1. Vérifiez que le câblage de votre maison comporte trois fils reliés à la terre. Si vous n'êtes pas certain, renseignez-vous auprès d'un électricien.
- AVERTISSEMENT: Ce démarreur (en option) est équipé d'un fil et d'une prise électrique à trois fils et il est conçu pour fonctionner sur un courant de 120 volts, C.A. Il doit toujours être relié à la terre pour éviter la possibilité d'une décharge électrique qui pourrait blesser le conducteur. Suivez soigneusement toutes les instructions avant d'utiliser le démarreur électrique.**
- Si vous avez une prise de courant à trois trous reliée à la terre, procédez comme suit:
1. Branchez le fil électrique dans le démarreur, sur le moteur. Branchez l'autre extrémité du fil dans une prise de courant de 120 volts C.A. à trois trous mise à la terre dans un endroit bien-aéré.
 2. Tournez le bouton du volet de départ à la position VOLET PLEIN (démarrage à froid).
- REMARQUE:** Si le moteur est chaud, tournez le volet de départ à la position SANS VOLET au lieu de VOLET PLEIN.
3. Appuyez deux ou trois fois sur le bouton de l'amorçeur pour le démarrage à froid. Couvrez toujours l'évent du bouton de l'amorçeur en appuyant.
- REMARQUE:** N'AMORCEZ PAS un moteur chaud après un arrêt bref.
4. Appuyez sur le bouton du démarreur jusqu'à ce que le moteur se mette en route.
 5. Quand le moteur démarre, lâchez le bouton du démarreur immédiatement.
 6. Au fur et à mesure que le moteur chauffe, tournez lentement le bouton du volet de départ vers la

Utilisation de la souffluse



AVERTISSEMENT

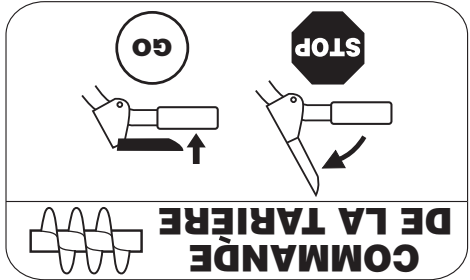
Lisez, comprenez, et suivez toutes les instructions et les signes sur la machine et dans ce notice avant le fonctionnement. Faites très attention en manipulant de l'essence. L'essence est extrêmement inflammable et les vapeurs sont explosifs. Ne faites jamais le plein d'essence à l'intérieur, pendant que le moteur tourne ou quand le moteur est chaud. Éteignez toute cigarette ou pipe, tout source incandescente. Si le câblage de votre maison n'est pas un système à trois fils reliés à la terre, n'utilisez en aucun cas ce démarreur électrique. Si votre système est relié à la terre, mais s'il n'y a pas de prise à trois trous à l'endroit où le démarreur doit normalement être utilisé, n'utilisez en aucun cas ce démarreur électrique.



Plein d'huile

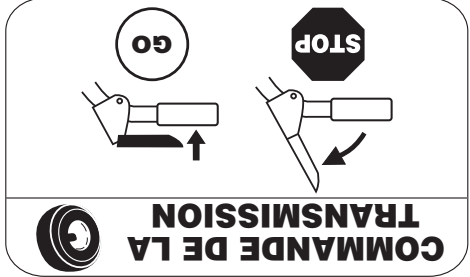
Il est possible de vérifier le niveau d'huile à moteur et de faire le plein par le goulot de remplissage.

Commande de la tarière



Elle se trouve sur le guidon gauche. Serrez la commande de la tarière contre le guidon pour embrayer la tarière et pour débrayer la neige. Lâchez-la pour arrêter.

Blocage de la commande de transmission/des tarières (le cas échéant)

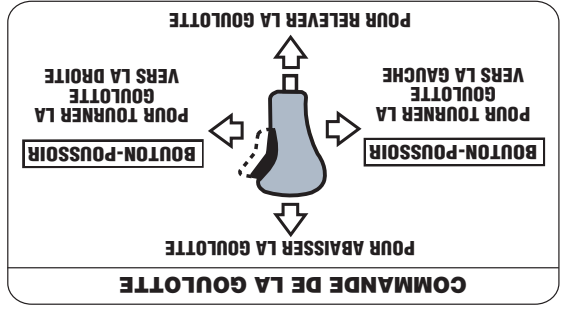


Elle se trouve sur la droite du guidon. Serrez la manette de commande contre le guidon pour embrayer les roues. Lâchez-la pour les arrêter.

La commande de la transmission permet aussi de bloquer les tarières pour que le conducteur puisse changer l'orientation de la goulotte sans interrompre la projection de la neige. Si la commande des tarières est embrayée en même temps que la commande de la transmission, le conducteur peut lâcher la commande des tarières (sur la gauche). Les tarières continueront à fonctionner. Quand le conducteur lâche les deux commandes, les tarières et les roues s'arrêtent.

IMPORTANT: Lâchez toujours la commande de la transmission avant de changer de vitesse.

Commande de la goulotte à 4 fonctions
La commande d'orientation de la goulotte se trouve sur la gauche du tableau de bord.



- Pour modifier l'orientation de la projection de la neige, appuyez sur le bouton du levier de commande et tournez le levier vers la droite ou vers la gauche.
- Pour modifier l'angle/la distance de projection de la neige, poussez le levier de commande vers l'avant ou tirez-le vers l'arrière. Pour tourner la souffluse vers la droite ou vers la gauche, pressez sur la commande correspondante de la direction des roues.

Commande d'orientation des roues

Les commandes d'orientation des roues de droite et de gauche se trouvent en dessous des poignées. Serrez la commande de droite pour tourner vers la droite ou serrez celle de gauche pour tourner vers la gauche.

REMARQUE: Utilisez la souffluse dans des espaces dégagés jusqu'à ce que vous soyez plus habitué aux commandes.

Cle de contact

La clé de contact est un dispositif de sécurité. Elle doit être complètement enfoncée pour mettre le moteur en marche. Retirez la clé quand la souffluse n'est pas utilisée.
N'essayez pas de tourner la clé. Elle pourrait se briser.

Outil de dégagement de la goulotte

AVERTISSEMENT: Ne dégagez jamais une goulotte bouchée à la main. Arrêtez le moteur et restez derrière le guidon jusqu'à ce que toutes les pièces se soient immobilisées avant d'essayer de dégager la goulotte.

1. Débrayez la manette de commande de la tarière et la manette de blocage de la traction/tarière.
2. Arrêtez le moteur en déplaçant la commande de l'obturateur à la position stop.
3. Détachez l'outil de dégagement de la goulotte de sa position sur l'arrière de l'habitacle de la tarière.
4. Utilisez l'extrémité en forme de pelle pour déloger et retirer la neige ou la glace qui s'est accumulée dans la goulotte.
5. Remplacez l'outil de dégagement sur l'attache à l'arrière de l'habitacle de la tarière. Remettez la clé de contact et faites démarrer la souffluse.
6. Tenez-vous au poste de conduite (derrière la souffluse) et embrayez la commande de la tarière pendant quelques secondes pour dégager tout reste de neige ou de glace de la goulotte d'éjection.

Commuteur de chauffage des poignées (le cas échéant)

Il se trouve sur la droite du tableau de commande de la souffluse. Pour chauffer les poignées, poussez le commutateur vers la droite. Poussez le commutateur vers la gauche, à la position «Arrêt», après avoir utilisé la souffluse.
REMARQUE: Les poignées chauffées sont à utiliser en conjonction avec des gants ou moufles appropriés. Nous recommandons le port de gants ou moufles lors de l'utilisation de la souffluse.

AVERTISSEMENT



Utilisation de la souffluse



Toute souffluse en cours de fonctionnement peut projeter un objet vers les yeux, d'où le risque de blessures graves. Portez toujours des lunettes de sécurité en travaillant avec une souffluse et en effectuant toute réparation ou tout ajustement sur la souffluse.

Assurez-vous que personne ne se tient à proximité de la souffluse lors du démarrage ou pendant son utilisation. Ne faites jamais tourner le moteur à l'intérieur ou dans un local clos ou mal ventilé. Les gaz d'échappement du moteur contiennent du monoxyde de carbone, un gaz inodore mortel. Eloignez toujours vos mains, pieds, cheveux et vêtements non ajustés de toutes les pièces en mouvement du moteur et de la souffluse.

Commandes de la souffleuse

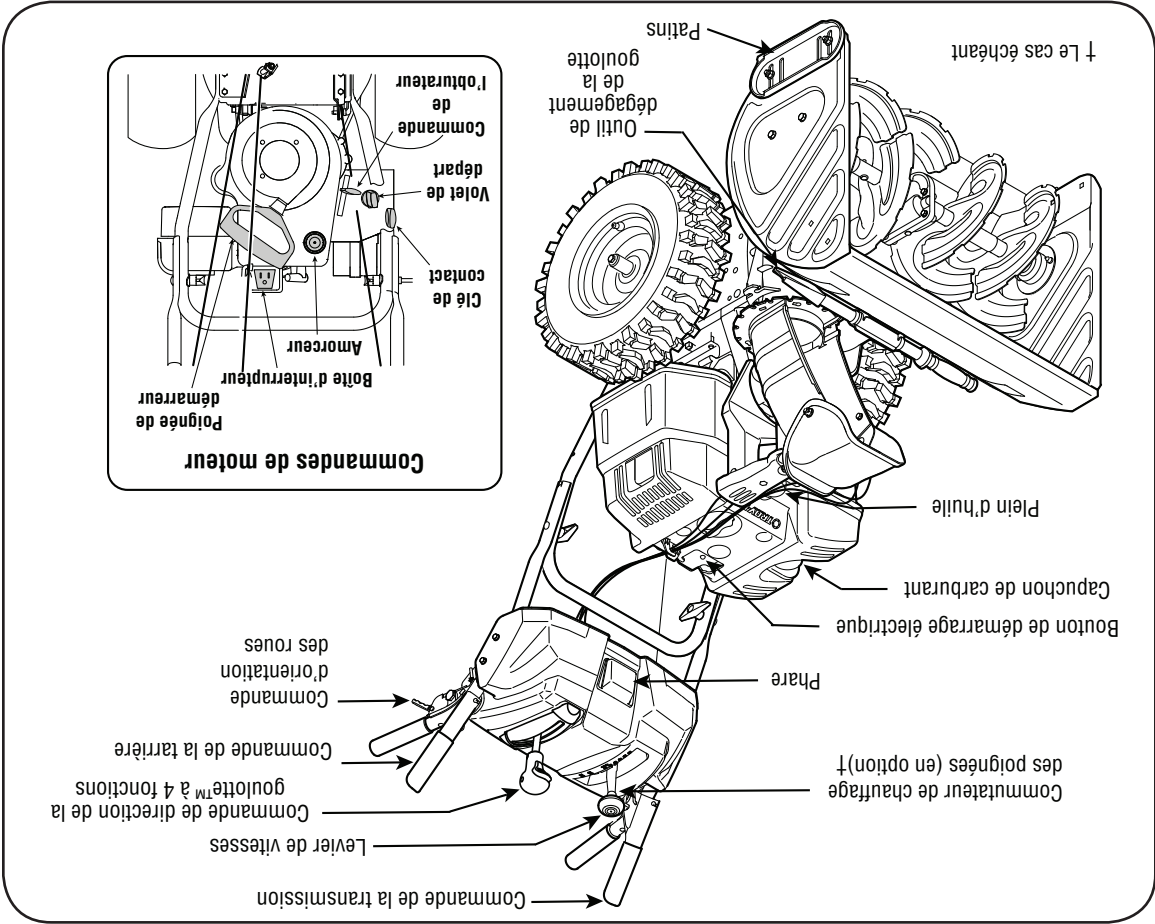


Figure 4-1

Volet de départ



Le volet de départ est trouvé sur l'arrière du moteur et est activé en tournant le bouton dans le sens des aiguilles d'une montre. Le bouton du volet de départ ferme la plaque sur le carburateur et facilite le démarrage du moteur.

Commande de l'obturateur

La commande de l'obturateur est trouvée sur le moteur. Il sert à régler le régime du moteur et coupera le moteur quand il est abaissé complètement.

Amorceur

L'enfoncement du bouton d'amorçage force le carburant directement dans le carburateur du moteur pour aider à faire démarrer le moteur en temps froid.



STOP

Levier de vitesses

Il se trouve au milieu du tableau de bord et sert à choisir la vitesse et la direction de déplacement.

Marche avant

La souffleuse a six marches avant (F): La position 1 est la plus lente et la position 6 la plus rapide.

Marche arrière

La souffleuse a deux marches arrière (R2), R1 étant la plus lente des deux, et deux est la plus rapide.

- R2
- R1
- F1
- ↓ 2
- 3
- 4
- 5
- 6

Maintenant que votre souffleuse est prête à travailler, il est temps de vous familiariser avec ses commandes et diverses caractéristiques, expliquées ci-dessous et représentées à la Figure 4-1. Vous pourrez ainsi bénéficier au maximum de votre nouvelle machine.

REMARQUE: Consultez la notice d'utilisation du moteur emballée séparément avec votre souffleuse pour avoir plus de renseignements concernant le démarrage et les commandes du moteur.

Faites très attention en manipulant de l'essence. L'essence est extrêmement inflammable et les vapeurs sont explosif. Ne faites *jamais* le plein d'essence à l'intérieur, pendant que le moteur tourne ou quand le moteur est chaud. Éteignez toute cigarette ou pipe, tout cigare ou toute autre source incandescente.

Lisez, comprenez, et suivez toutes les instructions et les consignes sur la machine et dans ce notice avant le fonctionnement.

AVERTISSEMENT



Utilisation de la souffleuse



3

Instructions de montage



AVERTISSEMENT

Ne dégagez jamais la neige ou la glace près de la tarière ou dans la goulotte à la main.



IMPORTANT

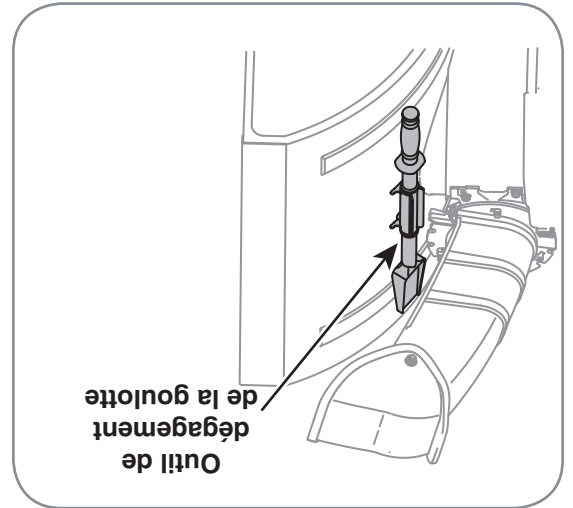
Ne dépassez jamais la pression recommandée par le fabricant. La pression doit toujours être égale dans tous les pneus. Une pression excessive à l'installation des pneus peut provoquer l'explosion de l'ensemble pneu et jante et causer des blessures graves. La pression recommandée est indiquée sur le flanc du pneu.

Outil de dégagement de la goulotte

Un outil de dégagement de la goulotte est maintenu sur le dessus de l'habitacle de la tarière avec une attache. L'outil sert à dégager une goulotte bouchée. Consultez la page 11 pour plus de renseignements concernant cet outil.

REMARQUE: Cette pièce est à été fixée avec un attache-câble sur l'arrière de l'habitacle de la tarière à l'usine. Coupez l'attache-câble avant de mettre la souffluse en marche.

AVERTISSEMENT: Ne dégagez jamais la neige ou la glace près de la tarière ou dans la goulotte à la main.



Outil de dégagement de la goulotte

Figure 3-9

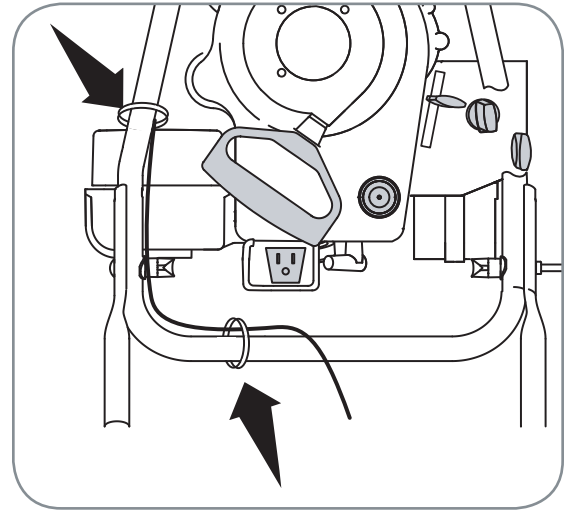


Figure 3-10

Patins

Positionnez les patins en fonction de la surface de travail. Redressez-les si la neige est tassée et abaissez-les pour travailler sur des surfaces recouvertes de gravier ou de pierre concassée. Consultez le chapitre « Réglages ».

Pression des pneus (Bandages pneumatiques)

Les pneus sont gonflés excessivement pour l'expédition. Avant l'utilisation, vérifiez la pression des pneus avant d'utiliser la souffluse. La pression recommandée par le fabricant est indiquée sur le flanc des pneus et réduite (ou augmentez) la pression dans les pneus selon le besoin.

REMARQUE: Si la pression n'est pas égale dans les deux pneus, la machine risque de tirer d'un côté plus que de l'autre et la plaque de raclage risque de s'user de façon inégale.

Recommandations d'ordre général

1. Respectez toujours les consignes de sécurité lors de l'entretien.
2. La garantie de cette souffluse ne s'applique pas aux pièces qui ont fait l'objet d'une utilisation abusive ou négligente. Pour bénéficier au maximum de la garantie, le conducteur de la souffluse doit l'entretenir conformément aux instructions fournies.
3. Certains ajustements seront nécessaires périodiquement pour maintenir la souffluse en bon état de marche.
4. Vérifiez régulièrement que toute la boulonnerie est bien serrée.

Barres de coupe (le cas échéant)

- Elles servent en cas d'accumulation importante de neige. Sur les modèles si équipés, les barres de coupe et la bouloserie sont assemblées à l'envers sur l'habitacle des tarières. Voir la Figure 3-7.
- Enlevez les boulons ordinaires en dévissant les écrous à oreilles qui maintiennent les barres de coupe en place.
- Positionnez les barres de coupe pour qu'elles frottent face à l'avant comme illustré à la Figure 3-8.

Maintenez-les en place avec la bouloserie enlevée précédemment, les écrous à oreilles devraient être attachés sur l'**extérieur** du logement comme illustré.

Si votre souffleuse n'est **pas** équipée de barres de coupe, adressez-vous au service après-vente pour tout renseignement concernant le prix et la disponibilité en stock.

Modèle de souffleuse Barres de coupe
Tous les modèles OEM 390-679

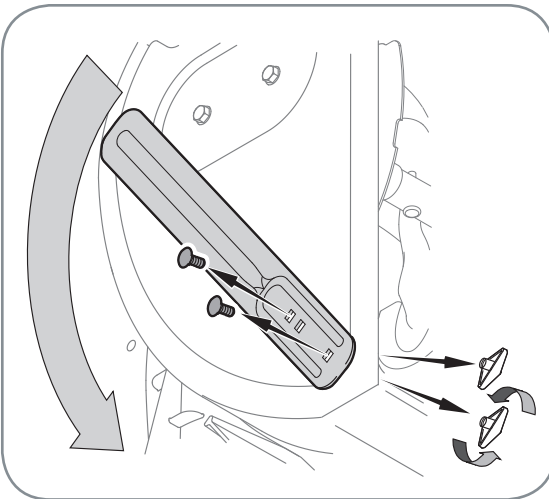


Figure 3-7

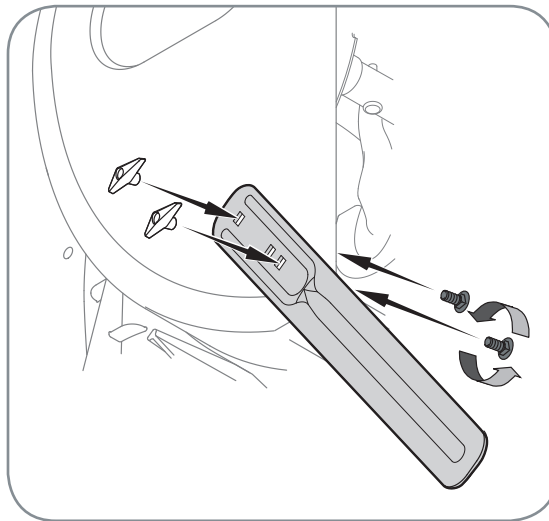


Figure 3-8

3

Instructions de montage



AVERTISSEMENT

Ne dégagez jamais la neige ou la glace près de la tarière ou dans la goulotte à la main.



IMPORTANT

Ne dépassez jamais la pression recommandée par le fabricant. La pression doit toujours être égale dans tous les pneus. Une pression excessive à l'installation des talons peut provoquer l'explosion de l'ensemble pneu et jante et causer des blessures graves. La pression recommandée est indiquée sur le flanc du pneu.

Instructions de montage

3

AVERTISSEMENT



IMPORTANT
 Avant d'utiliser votre souffluse, référez-vous à «Test de la commande de la tarière» à la page 13. Lisez et suivez soigneusement les instructions et effectuez tous les ajustements pour vérifier que votre souffluse fonctionne sans risque et correctement.

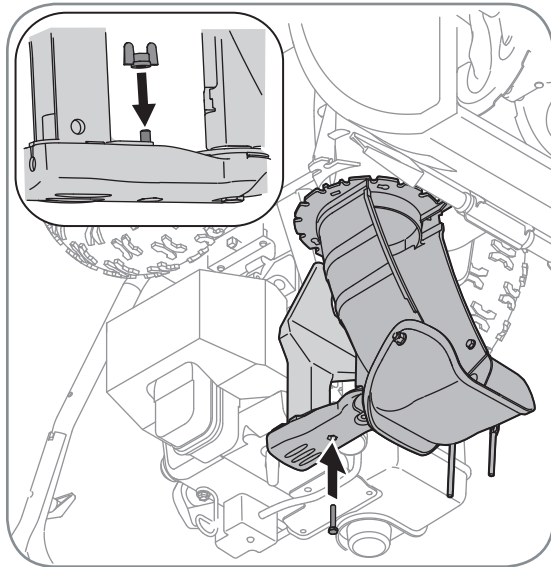


Figure 3-4

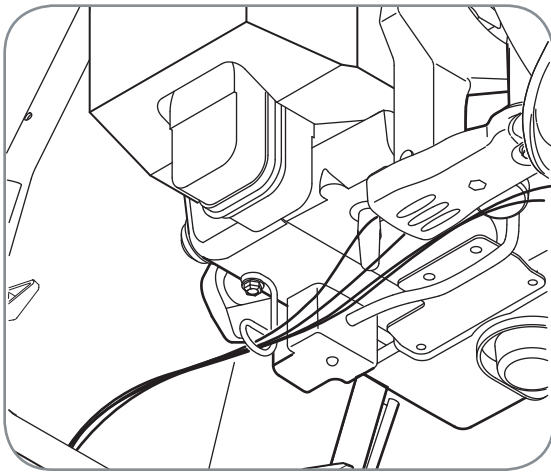


Figure 3-5

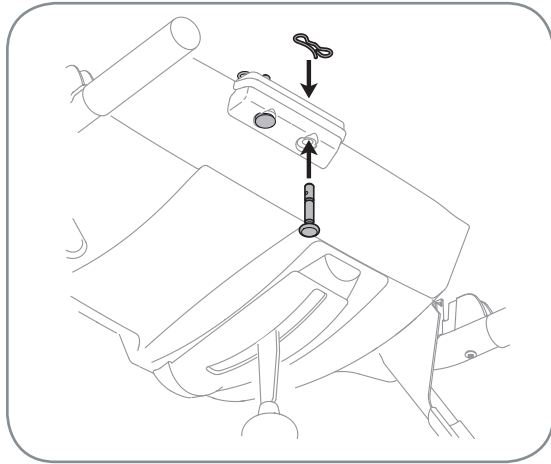


Figure 3-6

4. Continuez l'installation de la goulotte sur son support avec l'écrin à oreilles et la vis hex. retirés plus tôt. Voir la Figure 3-4.

5. Vérifiez que tous les câbles sont acheminés dans le guide sur le dessus du moteur. Voir la Figure 3-5.

Pour l'expédition, le fil électrique est maintenu sur l'arrière de l'habitacle de la tarière avec un attache-câble. Coupez l'attache-câble et jetez-le avant d'utiliser la souffluse.



AVERTISSEMENT: Avant d'utiliser votre souffluse, référez-vous à «Test de la commande de la tarière» à la page 11. Lisez et suivez soigneusement les instructions et effectuez tous les ajustements pour vérifier que votre souffluse.

Remisage de la goulotte de cisaillement (en option)

Une petite case est prévue sous le tableau de bord en plastique pour remiser la goulotte de cisaillement. Voir la Figure 3-6.

3

Instructions de montage



REMARQUE: Les côtés droit et gauche de la souffreuse sont déterminés du poste de conduite, derrière la souffreuse.

REMARQUE: Cette notice d'utilisation couvre plusieurs modèles. Les traits du souffreuse varient par le modèle. Pas toutes les traits discutées dans ce notice sont applicables à tous les modèles de souffreuse.

REMARQUE:

Deux goupilles de cisaillement de rechange sont fournies avec la notice d'utilisation (ou dans le panneau en plastique du guidon). Consultez le chapitre «Tarières dans la section «Entretien» de cette notice d'utilisation à propos du remplacement des goupilles de cisaillement.

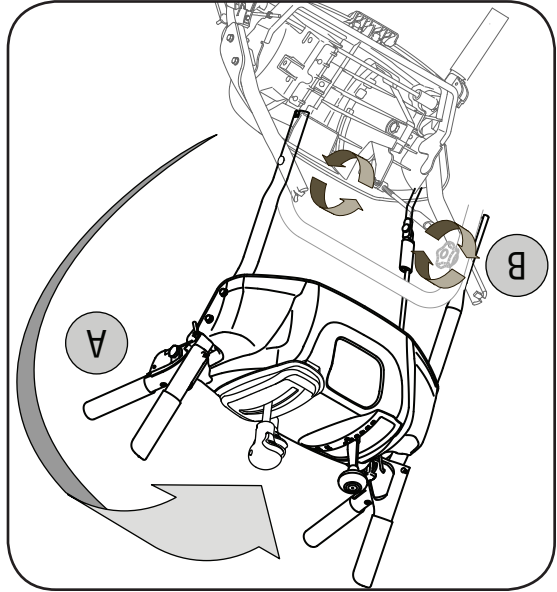


Figure 3-1

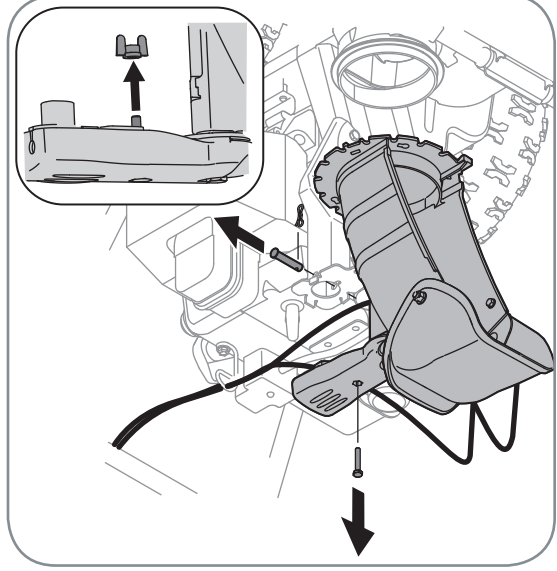


Figure 3-2

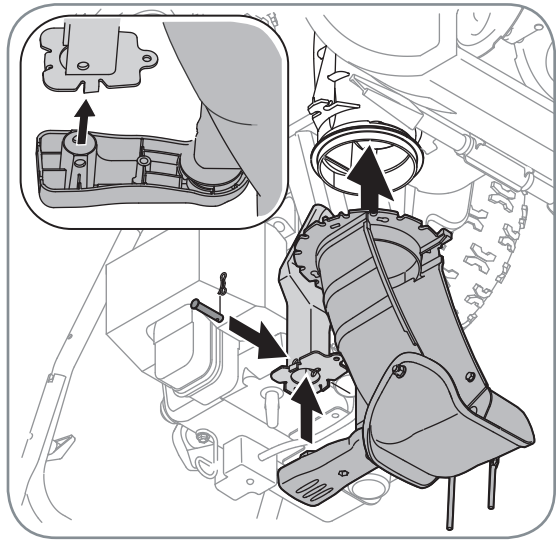


Figure 3-3

- REMARQUE:** La souffreuse a été expédiée avec le plein d'huile mais SANS ESSENCE. Après l'assemblage veuillez consulter la notice d'utilisation du moteur quant au carburant et à l'huile à moteur à employer.
1. Assurez-vous que les deux câbles, sur la partie inférieure de la souffreuse, sont bien alignés avec les rouleaux de guidage.
 - a. Redressez le guidon supérieur comme à la Figure 3-1. Alignez le guidon supérieur avec le guidon inférieur.
 - b. Serrez les boutons qui maintiennent le guidon supérieur sur le guidon inférieur.
 2. Retirez l'écrou à oreilles et la vis hex. qui se trouvent sur la commande de la goulotte ainsi que la goupille fendue et l'axe de chape sur le support de la goulotte. Voir la Figure 3-2. Positionnez la goulotte (tournee vers l'avant) sur sa base.
 3. Placez la goulotte sur sa base et attachez-la sur son support en utilisant l'axe de chape et la goupille fendue enlevés plus tôt. Voir la Figure 3-3.

5. Ne faites jamais fonctionner la machine dans un local clos ou mal aéré car les gaz d'échappement du moteur contiennent du monoxyde de carbone, un gaz inodore très dangereux.
6. Ne vous servez pas de la machine après avoir bu des boissons alcoolisées ou après avoir pris des médicaments.
7. Le silencieux et le moteur deviennent très chauds et peuvent causer des brûlures. Ne les touchez pas.
8. Soyez extrêmement prudent à proximité des routes, allées ou chemins en gravier. Faites attention aux dangers non évidents et à la circulation.
9. Faites très attention en changeant de direction et en travailant sur une pente.
10. Prévoyez de travailler en évitant de projeter la neige vers des fenêtres, murs, voitures, etc. car les débris peuvent ricocher et causer des blessures graves ou des dégâts matériels.
11. Ne dirigez jamais la neige vers des enfants, des spectateurs et des animaux de compagnie et ne permettez jamais à quiconque de se tenir devant la machine.
12. Ne fatiguez pas la machine en essayant de débayer la neige trop rapidement.
13. N'utilisez pas la machine si la visibilité est mauvaise ou si la lumière est insuffisante. Gardez toujours un bon équilibre et tenez fermement le guidon. Marchez, ne courez pas.
14. Débrayez la commande de l'ensemble de la tarière et de la tarière pour transporter la machine et lorsqu'elle n'est pas utilisée.
15. Ne déplacez jamais rapidement la souffluse sur des surfaces glissantes. Soyez prudent en reculant.
16. Arrêtez le moteur, débranchez le fil de la bougie et mettez-le à la terre contre le moteur si la machine commence à vibrer de façon anormale. Vérifiez que la machine n'est pas endommagée. Réparez tout dégât éventuel avant de la remettre en marche.
17. Débrayez toutes les commandes et arrêtez le moteur avant de quitter le poste de conduite (derrière les guidons).
18. Ne placez jamais votre main dans la goulotte d'éjection ou près de l'admission. Utilisez toujours l'outil de dégagement pour déboucher l'ouverture de la goulotte. Ne débouchez pas la goulotte d'éjection pendant que le moteur tourne. Arrêtez le guidon jusqu'à ce que toutes les pièces en mouvement se soient immobilisées avant de déboucher la goulotte.
19. N'utilisez que des accessoires homologués par le fabricant de la machine. (ex. poids de roues, chaînes, cabine etc.)
20. Faites toujours preuve de bon sens dans des situations qui n'ont pas été abordées par cette notice d'utilisation. Adressez-vous au service après-vente pour obtenir le nom du concessionnaire le plus proche de chez vous.

Entretien et Remisage

1. Ne modifiez jamais les dispositifs de sécurité. Vérifiez souvent qu'ils fonctionnent correctement. Consultez les chapitres concernant l'entretien et les réglages dans cette notice d'utilisation.
 2. Avant de nettoyer, de réparer ou d'examiner la machine, débrazez toutes les commandes et arrêtez le moteur. Attendez que la tarière/turbine se soit complètement immobilisée.
- Ne modifiez pas le moteur.**
- Pour éviter toute blessure grave ou fatale, ne modifiez pas du tout le moteur. Toute modification du réglage du régulateur peut provoquer l'emballement du moteur et entraîner son fonctionnement à des vitesses dangereuses. Ne modifiez jamais le réglage de l'usine du régulateur.
- Avis concernant les émissions de gaz**
- Les moteurs certifiés conformes aux normes réglementaires de la Californie et de l'agence EPA fédérales pour SORE (petit équipement hors route) sont certifiés pour fonctionner avec de l'essence sans plomb ordinaire et peuvent être dotés des systèmes de contrôle des émissions de gaz suivants : Engine Modification (EM) et Three Way Catalyst (TWC) le cas échéant.
- Durée de vie utile moyenne**
- D'après la Consumer Products Safety Commission (CPSC) et la "U.S. Environmental Protection Agency" (EPA - Agence américaine de protection de l'environnement), ce produit a une durée de vie utile moyenne de sept (7) ans, ou 60 heures de fonctionnement. Au terme de cette durée de vie utile moyenne, achetez une machine neuve ou faites inspecter la machine chaque année par une station technique agréée pour vous assurer que tous les dispositifs mécaniques et de sécurité sont en bon état de marche et ne sont pas usés de façon excessive. Le non-respect de ces recommandations peut causer des accidents et des blessures graves ou mortelles.

AVERTISSEMENT



Consignes de sécurité



Ce symbole attire votre attention sur des consignes de sécurité importantes qui, si elles ne sont pas respectées, peuvent mettre en danger non seulement votre personne et vos biens, mais aussi ceux d'autrui. Prière de lire toutes les instructions figurant dans cette notice d'utilisation avant d'essayer de vous servir de cette machine. Le non-respect de ces instructions peut entraîner des blessures corporelles.

RESPECTEZ

L'AVERTISSEMENT QUI ACCOMPAGNE CE SYMBOLE!

Votre responsabilité

Cette machine ne doit être utilisée que par des personnes qui peuvent lire, comprendre et respecter les avertissements et instructions qui figurent dans cette notice et sur la machine.

Consignes de sécurité



AVERTISSEMENT

Ce symbole attire votre attention sur des consignes de sécurité importantes qui, si elles ne sont pas respectées, peuvent mettre en danger non seulement votre personne et vos biens, mais aussi ceux d'autrui. Prière de lire toutes les instructions figurant dans cette notice d'utilisation avant d'essayer de vous servir de cette machine.

Le non-respect de ces instructions peut entraîner des blessures corporelles.

RESPECTEZ L'AVERTISSEMENT QUI ACCOMPAGNE CE SYMBOLE

Cette machine ne doit être utilisée que par des personnes qui peuvent lire, comprendre et respecter les avertissements et instructions qui figurent dans cette notice et sur la machine.



AVERTISSEMENT: Les gaz d'échappement de ce produit contiennent des produits chimiques reconnus dans l'Etat de Californie comme causant le cancer, des anomalies congénitales ou d'autres problèmes liés à la reproduction.

DANGER: Cette machine doit être utilisée conformément aux consignes de sécurité qui figurent dans la notice d'utilisation. Comme avec tout appareil motorisé, une négligence ou une erreur de la part de l'utilisateur peut entraîner des blessures graves. Cette machine peut amputer mains et pieds et projeter des débris. Par conséquent, le non-respect de ces consignes peut causer des blessures corporelles graves et même mortelles.

Formation

1. Assurez-vous de lire et de bien comprendre toutes les instructions qui figurent sur la machine et dans la notice d'utilisation avant de la mettre en marche. Conservez cette notice d'utilisation à un endroit sûr pour toute consultation ultérieure et pour commander des pièces de rechange.
2. Familiarisez-vous avec les commandes et la bonne utilisation de cette machine avant de vous en servir. Apprenez à arrêter la machine et à débrayer rapidement les commandes.
3. Ne permettez jamais à des enfants de moins de 14 ans de se servir de la machine. Des adolescents plus âgés doivent lire la notice d'utilisation, bien comprendre le fonctionnement de la machine et respecter les consignes de sécurité. Ils doivent apprendre à utiliser la machine et s'en servir sous la surveillance étroite d'un adulte.
4. Ne permettez jamais à des adultes ne connaissant pas bien le fonctionnement de la machine de s'en servir.
5. Les objets projetés par la machine peuvent causer des blessures graves. Prévoyez de travailler en évitant de projeter la neige vers la route, des spectateurs, etc.
6. Gardez les spectateurs, les animaux de compagnie et les enfants à une distance d'au moins 75 pieds de la machine quand elle est en marche. Arrêtez la machine si quelqu'un s'approche.
7. Soyez toujours prudent pour ne pas glisser ou tomber, surtout en reculant.

Préparation

1. Examinez soigneusement la zone à débayer et enlevez tous les paillassons, traîneaux, morceaux de bois, fils de fer et autres objets sur lesquels vous pourriez trébucher ou qui risquent d'être projetés par la tarière/turbine.
2. Portez toujours des lunettes de sécurité en utilisant la machine ou en effectuant un réglage ou une réparation. Un objet peut en effet être projeté, ricocher et vous blesser aux yeux.
3. Ne travaillez pas sans porter des vêtements d'hiver adéquats. Ne portez pas de bijoux, d'écharpes longues ou de vêtements amples qui risquent de se prendre dans les pièces en mouvement. Portez des chaussures qui amélioreront votre stabilité sur des surfaces glissantes.
4. Utilisez une rallonge à 3 fils et une prise de courant mises à la terre avec toutes les machines équipées d'un moteur à démarreur électrique.
5. Réglez la hauteur de l'habillage pour éviter tout contact avec les surfaces en gravier ou en pierre concassée.
6. Débrayez toutes les commandes avant de mettre le moteur en marche.

Utilisation

1. Ne placez jamais vos mains ou vos pieds près d'une pièce en mouvement, dans l'habillage de la tarière ou de la turbine ou dans la goulotte d'éjection. Les pièces en mouvement peuvent amputer mains et pieds.
2. La manette de commande de l'ensemble de la tarière et de la turbine est un dispositif de sécurité. Ne contournez jamais son rôle ce qui rendrait dangereux l'emploi de la machine et pourrait causer des blessures corporelles.
3. Toutes les manettes de commande doivent fonctionner facilement dans les deux directions et revenir automatiquement à la position de débrayage lorsqu'elles sont relâchées.
4. Ne travaillez jamais sans la goulotte d'éjection ou si elle est endommagée. Laissez tous les dispositifs de sécurité en place et assurez-vous qu'ils sont en bon état.

Manipulation de l'essence

7. N'essayez jamais de régler le moteur pendant qu'il tourne (à moins d'indications contraires de la part du fabricant).
8. Laissez le moteur et la machine s'habituer à la température extérieure avant de commencer à débayer.

- a. Remisez le carburant dans des bidons homologués seulement.
- b. Éteignez toute cigarette ou pipe, tout cigare ou toute autre source incandescente.
- c. Ne faites jamais le plein à l'intérieur.
- d. N'enlevez jamais le capuchon d'essence et n'ajoutez pas d'essence pendant que le moteur tourne.
- e. Laissez le moteur refroidir pendant au moins deux minutes avant de faire le plein.
- f. Ne faites jamais débayer le réservoir. Laissez un espace d'un demi-pouce environ pour permettre l'expansion du carburant.
- g. Resserrez bien le capuchon d'essence.
- h. En cas de débordement, essayez toute éclaboussure sur le moteur et la machine. Déplacez la machine et attendez 5 minutes avant de la remettre en marche.
- i. Ne remisez jamais la machine ou les bidons d'essence à l'intérieur s'il y a une flamme, une étincelle ou une veilleuse (d'un chauffe-eau, un radiateur, un tourneau, un sèche-linge ou autre appareil à gaz).
- j. Laissez la machine refroidir pendant au moins 5 minutes avant de la remiser.



Étiquettes de sécurité



AVERTISSEMENT

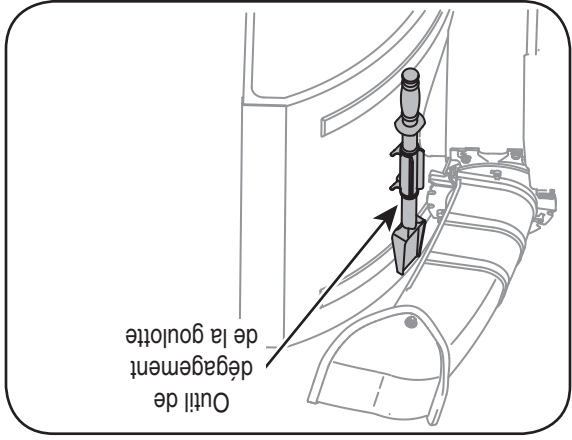
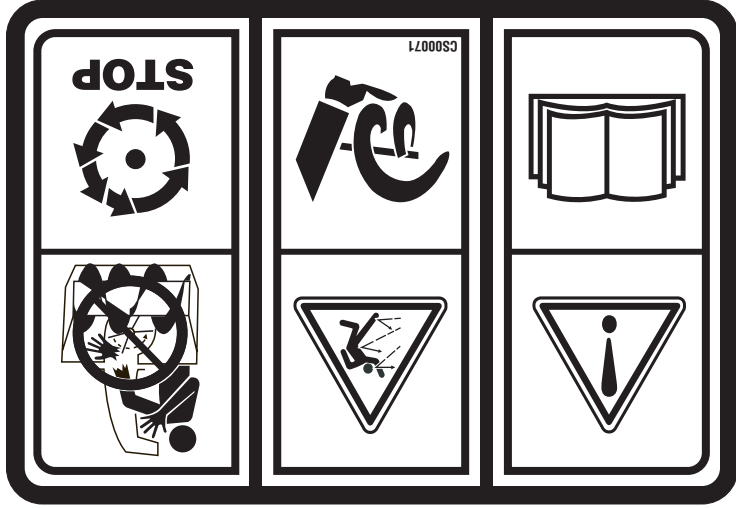
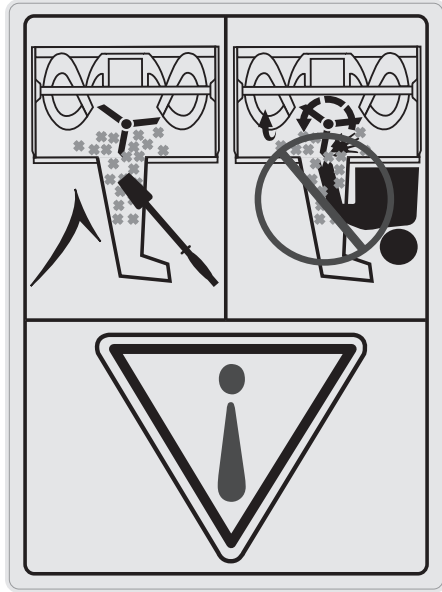
Ce symbole attire votre attention sur des consignes de sécurité importantes qui, si elles ne sont pas respectées, peuvent mettre en danger non seulement votre personne et vos biens, mais aussi ceux d'autrui. Prière de lire toutes les instructions figurant dans cette notice d'utilisation avant d'essayer de vous servir de cette machine. Le non-respect de ces instructions peut entraîner des blessures corporelles.

RESPECTEZ

L'AVERTISSEMENT QUI ACCOMPAGNE CE SYMBOLE!

Votre responsabilité

Cette machine ne doit être utilisée que par des personnes qui peuvent lire, comprendre et respecter les avertissements et instructions qui figurent dans cette notice et sur la machine.



Un outil de dégagement de la goulotte est maintenu sur le dessus de l'habitacle de la tarière avec une attache. Cet outil sert à dégager les accumulations de neige et de glace dans la goulotte. Cet outil a été fixé avec un attache-câble à l'usine. Coupez l'attache-câble avant de mettre la souffluse en marche.

AVERTISSEMENT : Ne vous servez jamais de vos mains pour dégager une obstruction dans la goulotte. Arrêtez le moteur et restez derrière les guidons jusqu'à ce que toutes les pièces se soient arrêtées avant de vous servir de l'outil de dégagement pour nettoyer la goulotte.



tation.

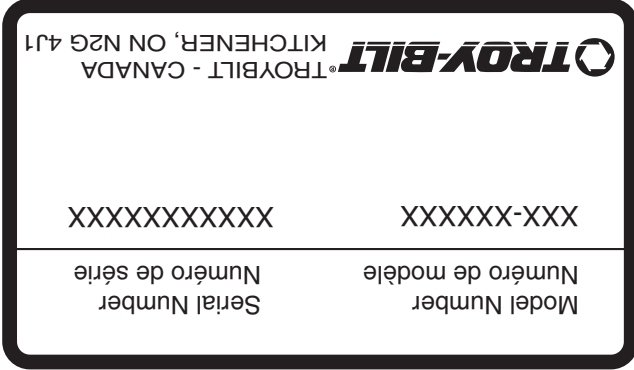
l'emplacement de ces numéros. On vous demandera d'enregistrer le numéro de série avant de pouvoir poursuivre votre consultation. Préparez vos numéros de modèle et de série avant de téléphoner. Veuillez lire le chapitre précédent pour déterminer

consulter la notice d'utilisation du moteur fournie avec votre machine.

3. Le fabricant du moteur est responsable de toutes les questions concernant les performances, la puissance indiquée, les caractéristiques techniques, la garantie et le service après-vente du moteur. Pour plus de renseignements à ce sujet, veuillez
 2. Appelez votre concessionnaire local ou appelez un agent du service après-vente au 1-800-668-1238.
 1. Visitez le site www.troybilt.ca où vous trouverez de nombreuses suggestions utiles. Cliquez sur le bouton Service après-vente.
- Si l'assemblage de cette machine vous pose des problèmes ou pour toute question concernant les commandes, le fonctionnement ou l'entretien de la machine, les spécialistes sont à votre disposition. Choisissez l'une des options ci-dessous:

Service après-vente

Veillez retourner la machine au détaillant qui vous l'a vendue, sans vous adresser d'abord au service après-vente.



AVANT DE PROCÉDER À L'ASSEMBLAGE DE VOTRE NOUVELLE SOUFFLEUSE, localiser la plaque signalétique sur l'équipement, et recopier le numéro de modèle et le numéro de série sur le modèle de plaque signalétique fourni sur la droite. Pour localiser la plaque signalétique, placez-vous derrière la souffeuse à la poste de conduite et regardez à l'arrière du châssis de la souffeuse.

Pour trouver le numéro de modèle

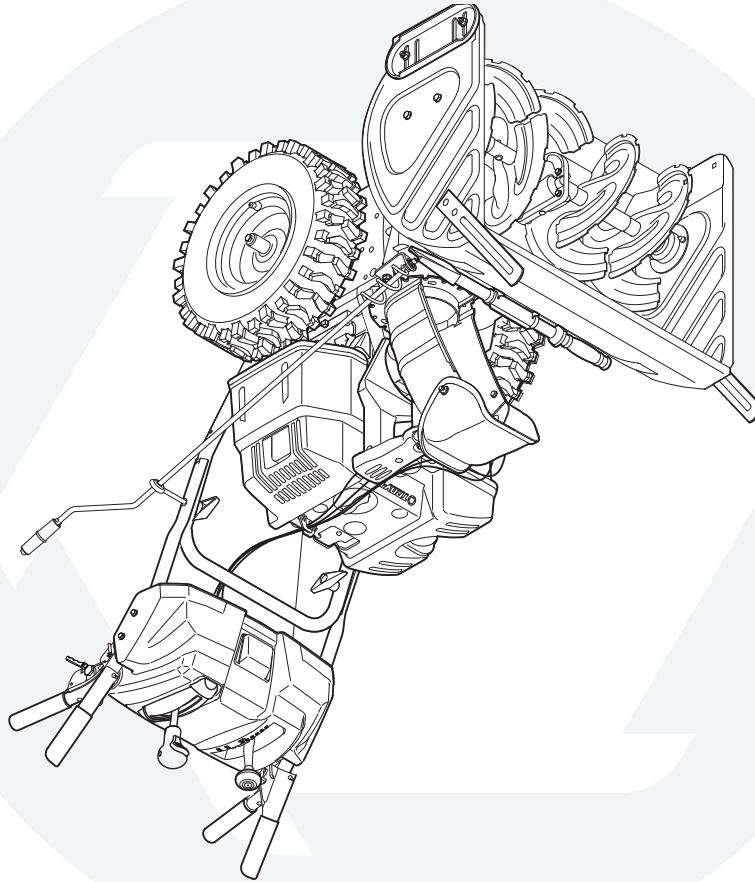
Étiquettes	3
Important consignes de sécurité	4
Instructions de montage	6
Utilisation de la souffeuse	10
Réglages	14
Pièces détachées (voir la page 22 de la version anglaise de cette notice d'utilisation	
Entretien de la souffeuse	16
Remisage hors saison	20
Dépannage	21
Garantie	22

Table des matières

Cette notice d'utilisation est une pièce importante de votre nouvel équipement. Elle vous fournit les renseignements nécessaires à l'assemblage, à la préparation et à l'entretien de votre machine. Veuillez donc la lire attentivement et vous assurer de bien comprendre toutes les instructions.

IMPORTANT:
LISEZ ATTENTIVEMENT LES RÈGLES DE
SÉCURITÉ ET LES INSTRUCTIONS AVANT
DE METTRE EN MARCHÉ LA MACHINE.

Souffleuse à neige à deux phases



www.troybilt.ca

TROY-BILT®

NOTICE D'UTILISATION

Sécurité * Assemblage * Fonctionnement * Réglages * Entretien
Dépannage * Listes des pièces détachées * Garantie
